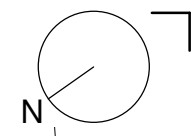


Site Plan
1 : 500

| | | | | | | | | |
|--|-----|------|----------|----------|----------------------|--|---|-----------------------|
| | No. | Date | Revision | Initials | PRO No.: 3.1 | | DRAWING No.: T001 | STATUS: Tender |
| | | | | | SCALE: 1 : 500 | | PROJECT: TDS TECH4100 Assessment 3 Project 1 - Baseline Detailing Project | |
| | | | | | DATE: 09/10/2020 | | DRAWING: Site Plan | |
| | | | | | REV: | | ARCHITECT: Liam Deguara | |
| | | | | | DRN: LD CHKD: TDS | | ISO REF: 3.1-LD-01-XX-DR-A-T001 | |

CONSULT SERVICES ENGINEER FOR MANHOLE INVERT AND COVER LEVELS

- 100mm SURFACE WATER DRANAGE PIPE @1:100 FALL
- 100mm FOUL WATER DRANAGE PIPE @1:60 FALL
- 50mm WATER SUPPLY



ATENUATION TANK

Site Drainage Plan
1 : 200



| No. | Date | Revision |
|-----|------|----------|
|-----|------|----------|

Initials

PRO No.: 3.1

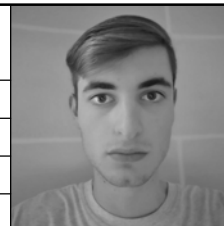
SCALE: 1 : 200

DATE: 09/10/2020

REV:

DRN: LD

CHKD: TDS



DRAWING No.: T002

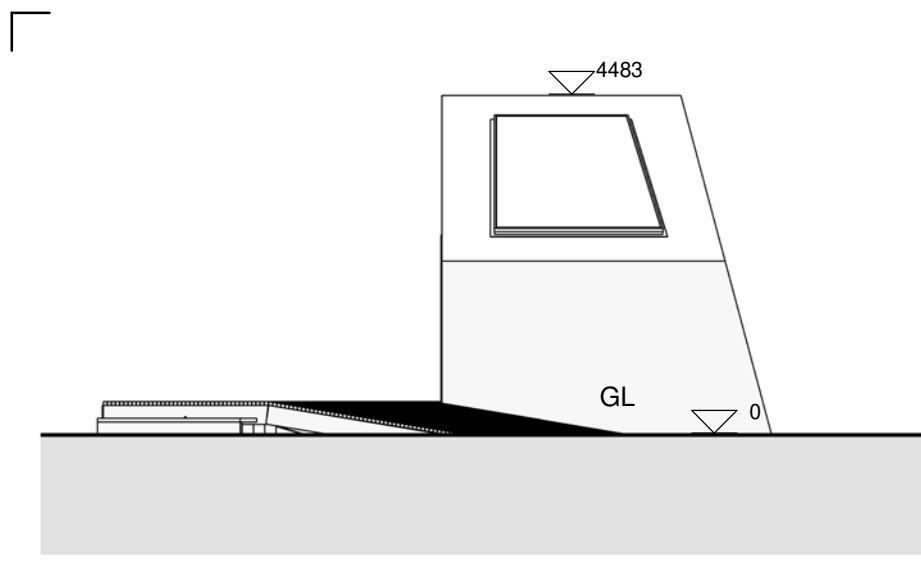
STATUS: Tender

PROJECT: TDS TECH4100 Assessment 3 Project 1 - Baseline Detailing Project

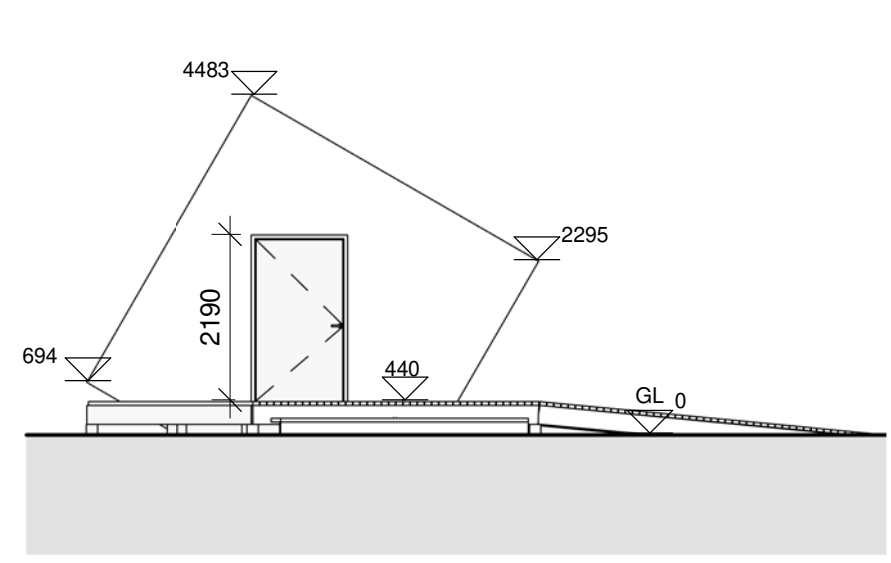
DRAWING: Site Drainage Plan

ARCHITECT: Liam Deguara

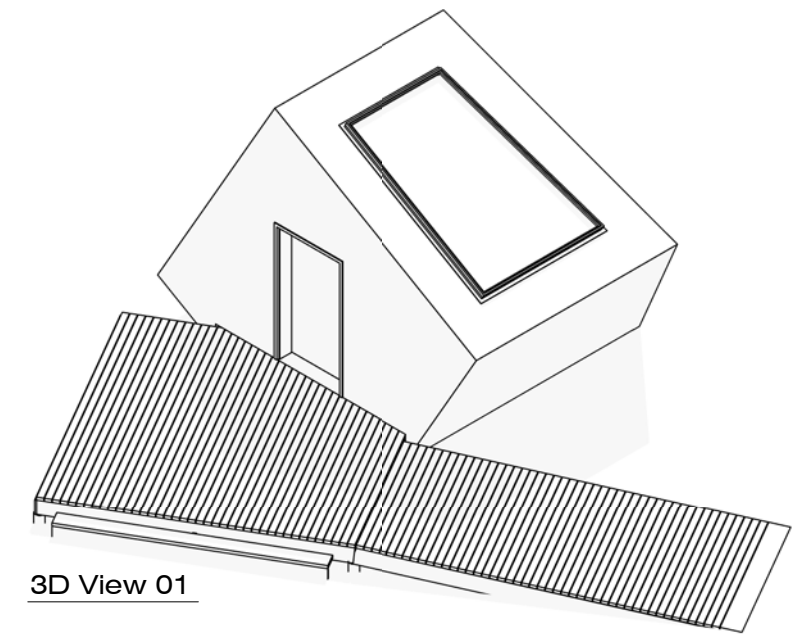
ISO REF: 3.1-LD-01-XX-DR-A-T002



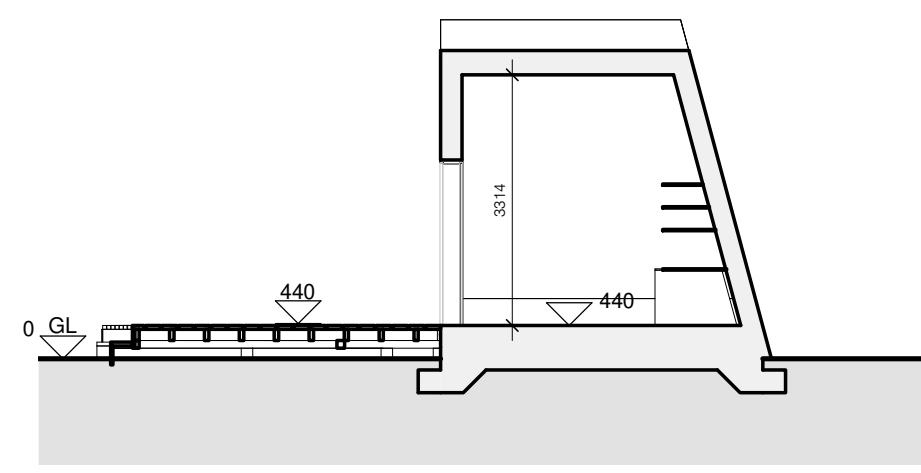
North Elevation
1 : 100



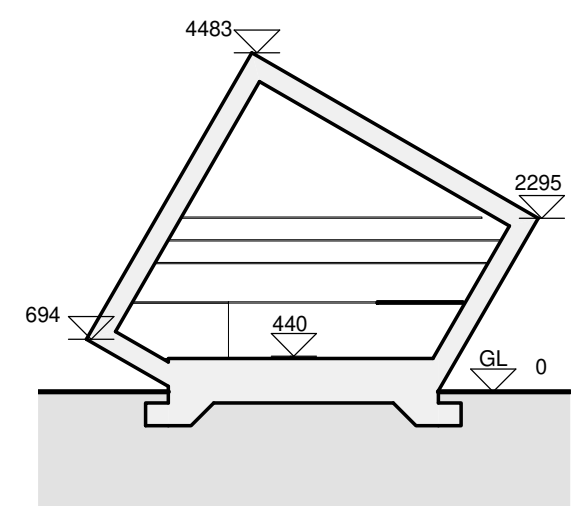
East Elevation
1 : 100



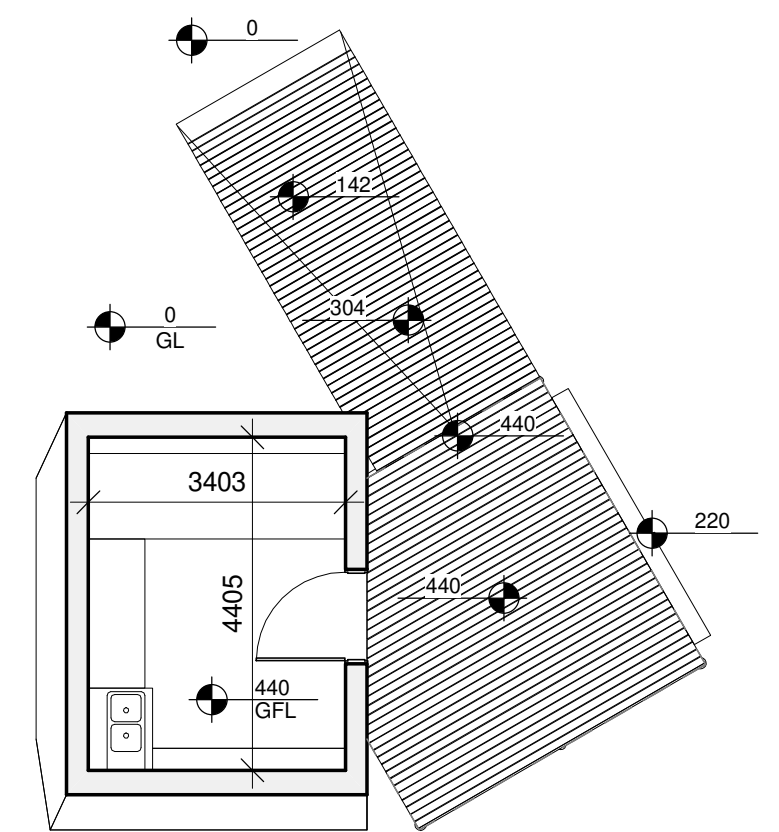
3D View 01



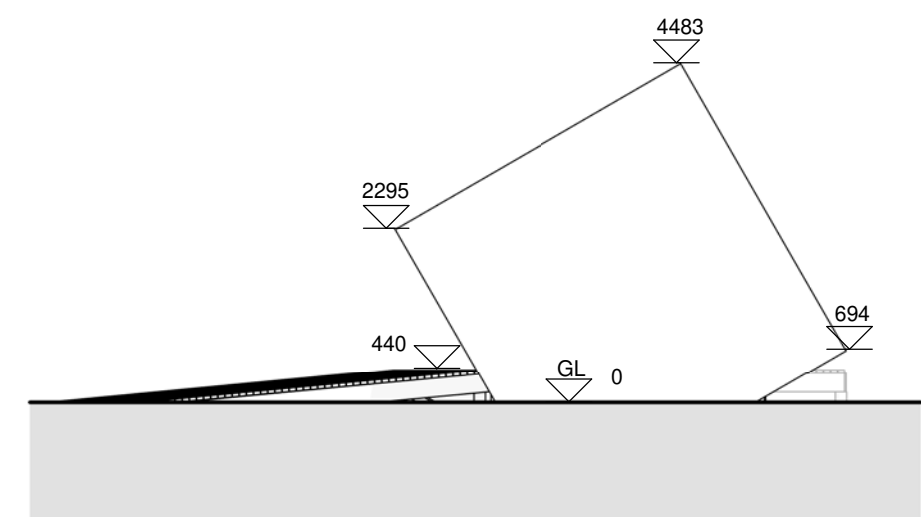
Section B-B
1 : 100



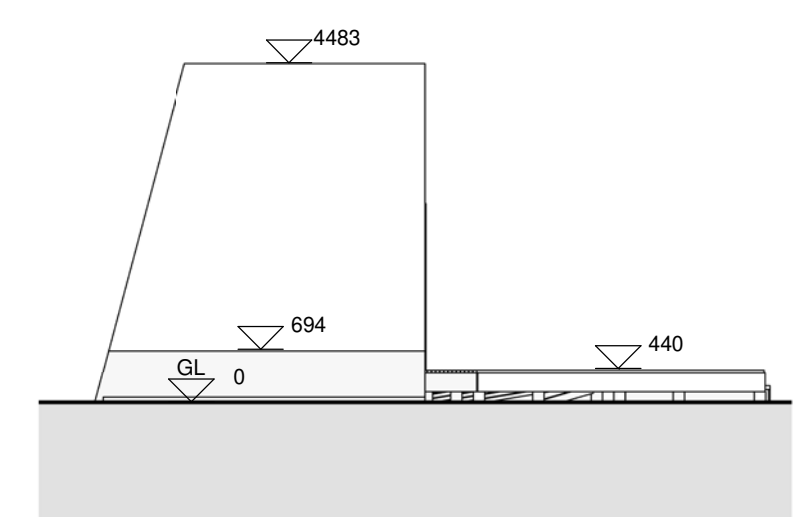
Section A-A
1 : 100



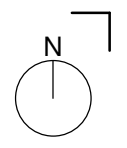
Ground Floor Plan
1 : 100



West Elevation
1 : 100



South Elevation
1 : 100

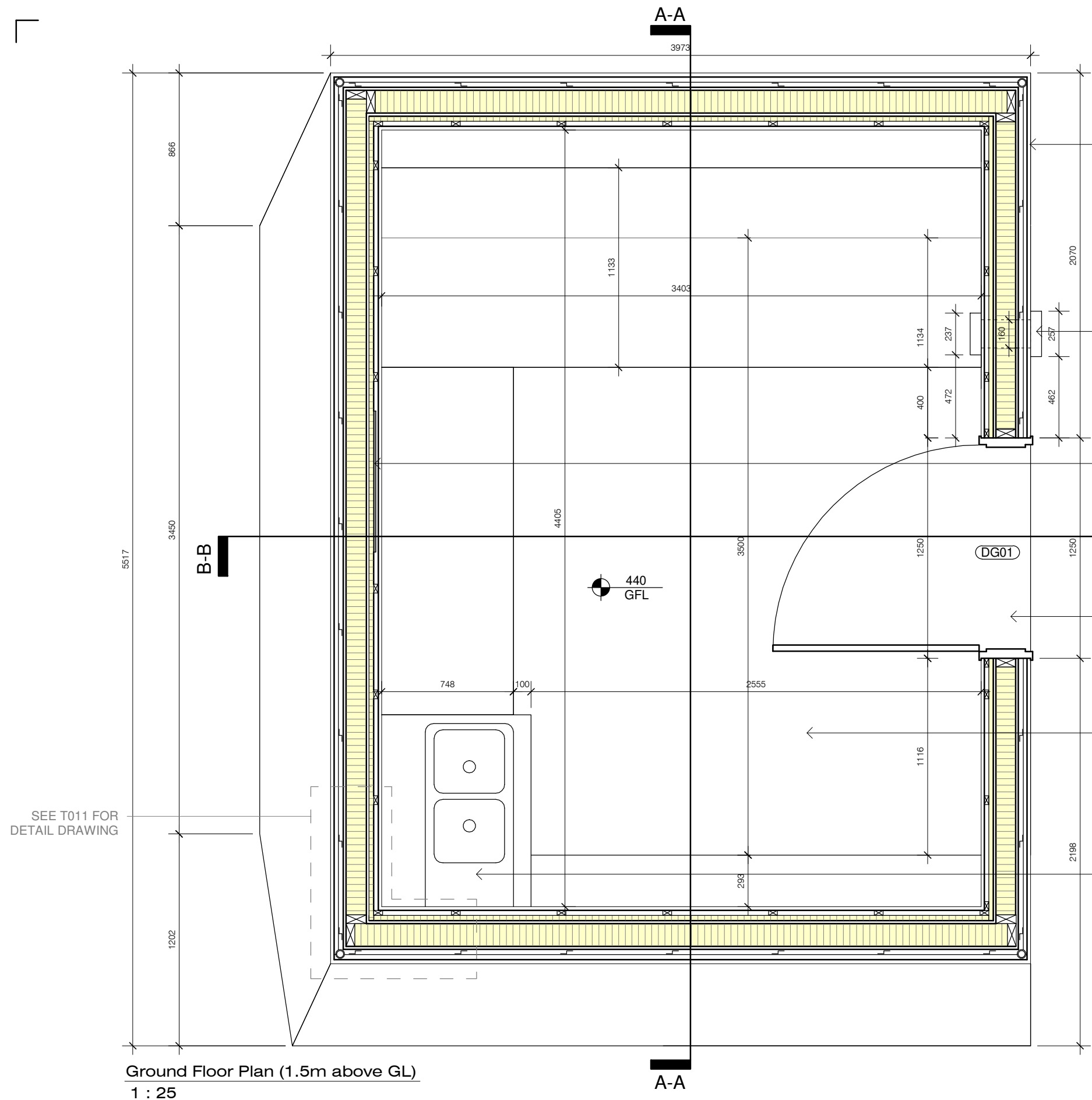
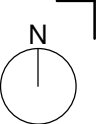


| No. | Date | Revision | Initials |
|-----|------|----------|----------|
| | | | |

| | |
|----------|------------|
| PRO No.: | 3.1 |
| SCALE: | 1 : 100 |
| DATE: | 09/10/2020 |
| REV: | |
| DRN: | LD |
| CHKD: | TDS |



| | | | |
|--------------|--|---------|--------|
| DRAWING No.: | T003 | STATUS: | Tender |
| PROJECT: | TDS TECH4100 Assessment 3 Project 1 - Baseline Detailing Project | | |
| DRAWING: | Outline Drawings | | |
| ARCHITECT: | Liam Deguara | | |
| ISO REF: | 3.1-LD-01-XX-DR-A-T003 | | |



WALLS 0.15Wm²K (OUTSIDE TO INSIDE)
 6mm CUSTOM CUT CORTEN STEEL PANEL SECRET FIXED TO
 15X35mm ALUMINIUM BOX SECTION HORIZONTAL RAILS @ 600mm CENTRES ON
 30X35mm ALUMINIUM Z-SECTION VERTICAL RAILS @ 600mm CENTRES ON
 0.5mm KINGSPAN NILVENT BREATHABLE MEMBRANE ON
 142mm KINGSPAN TEK STRUCTURALLY INSULATED PANEL ON
 25mm KINGSPAN THERMAWALL TWSS INSULATION ON
 25X50mm TIMBER VERTICAL BATTENS @ 600mm CENTRES ON
 18mm BIRCH PLYWOOD FINISH.

VENT
 LUNOS e⁹⁰ VENTILATION WITH HEAT RECOVERY UNIT.
 TO BE INSTALLED IN STRICT ACCORDANCE WITH
 MANUFACTURERS SPECIFICATIONS.

HEATER
 800X1200X12.5 CeP175/fb ECOVOLT CEP CARBON PAINT HEATING
 SYSTEM INSTALLED BEHIND PLYWOOD BETWEEN TIMBER
 BATTENS.

DOOR
 TIMBER DOOR AND IRONMONGERY BY RATIONEL.
 DOOR TO BE FITTED IN STRICT ACCORDANCE WITH
 MANUFACTURERS SPECIFICATIONS
 WITH STAINLESS STEEL BRACKETS TO DELIVER THE
 REQUIRED AIR TIGHTNESS PERFORMANCE.

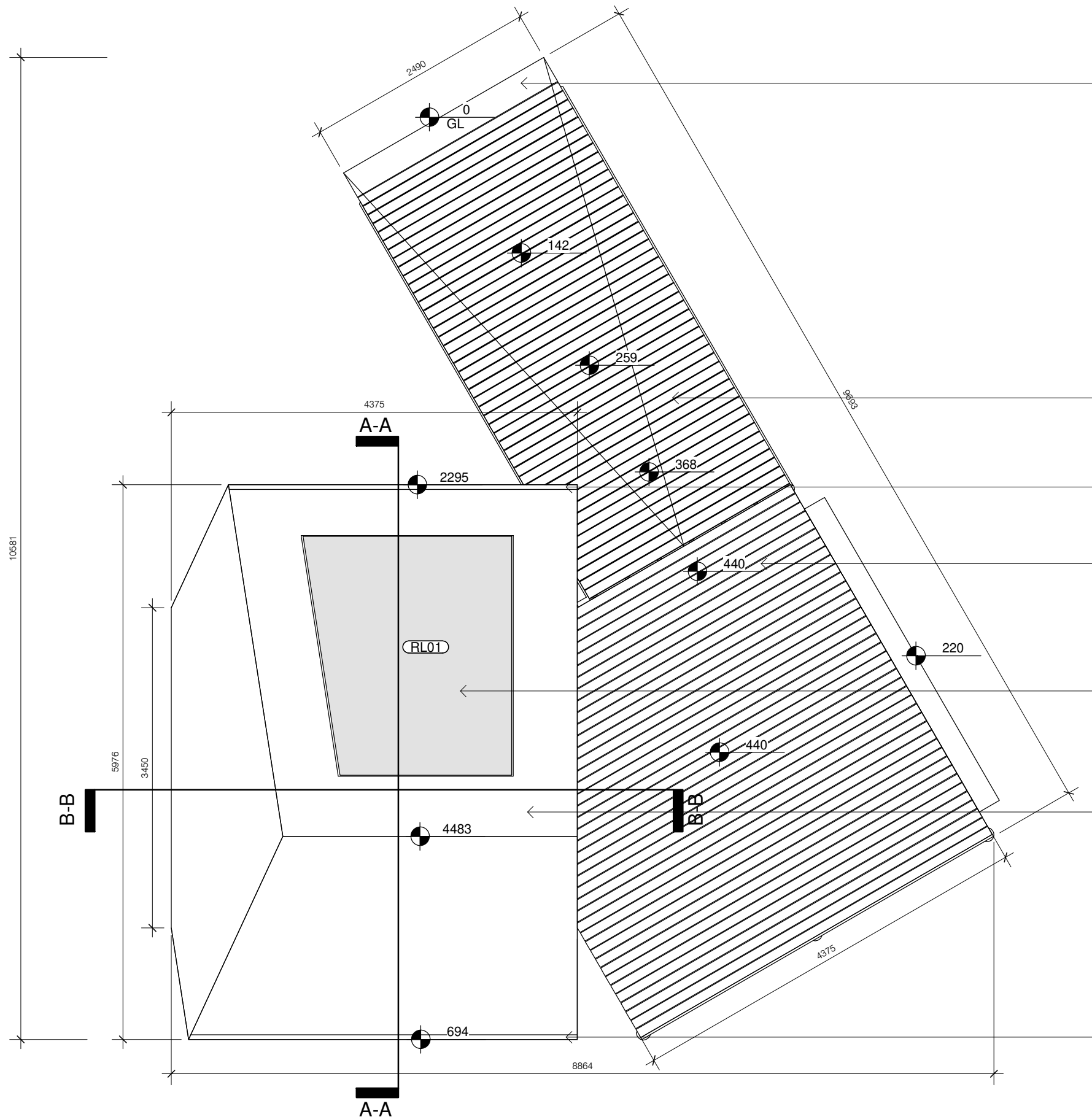
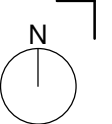
FLOOR 0.16Wm²K (INSIDE TO OUTSIDE)
 50mm POLISHED CONCRETE ROADSTONE QUICK FLOOR SCREED ON
 120mm MINERAL WOOL ROCKWOOL THERMAL ROCKFLOOR®
 INSULATION (2 LAYERS) ON
 300mm CAST-IN-SITU CONCRETE RAFT FOUNDATION ON
 1200 GAUGE RADON BARRIER ON
 50mm SAND BLINDING ON
 150mm HARDCORE (2 LAYERS).

SINK
 ARMITAGE SHANKS SANDRINGHAM 1000mm STAINLESS STEEL KITCHEN SINK

SEE T011 FOR
 DETAIL DRAWING

Ground Floor Plan (1.5m above GL)
 1 : 25

| | | | | | | | | |
|--|-----|------|----------|----------|--------------|------------------|----------------------------|---|
| | No. | Date | Revision | Initials | PRO No.: 3.1 | | DRAWING No.: T004 | STATUS: Tender |
| | | | | | | | SCALE: 1 : 25 | PROJECT: TDS TECH4100 Assessment 3 Project 1 - Baseline Detailing Project |
| | | | | | | DATE: 09/10/2020 | DRAWING: Ground Floor Plan | |
| | | | | | | REV: | ARCHITECT: Liam Deguara | |
| | | | | | | DRN: LD | CHKD: TDS | ISO REF: 3.1-LD-01-01-DR-A-T004 |



CONCRETE RAMP FOOTING

RAMP
50X100mm TREATED TIMBER DECKING (9MM SPACING) ON
150X50mm TREATED TIMBER JOISTS @ 400MM CENTRES (1:12 SLOPE).

GUTTER
100mm WIDE HARMER RECTANGULAR GUTTER.
FITTED WITH 50mmØ DOWNPIPES.

DECK
50X100mm TREATED TIMBER DECKING (9MM SPACING) ON
150X50mm TREATED TIMBER JOISTS @ 400MM CENTRES ON
100X50mm TREATED TIMBER BEAMS ON
150mmØ PRESSURE TREATED TIMBER POSTS.

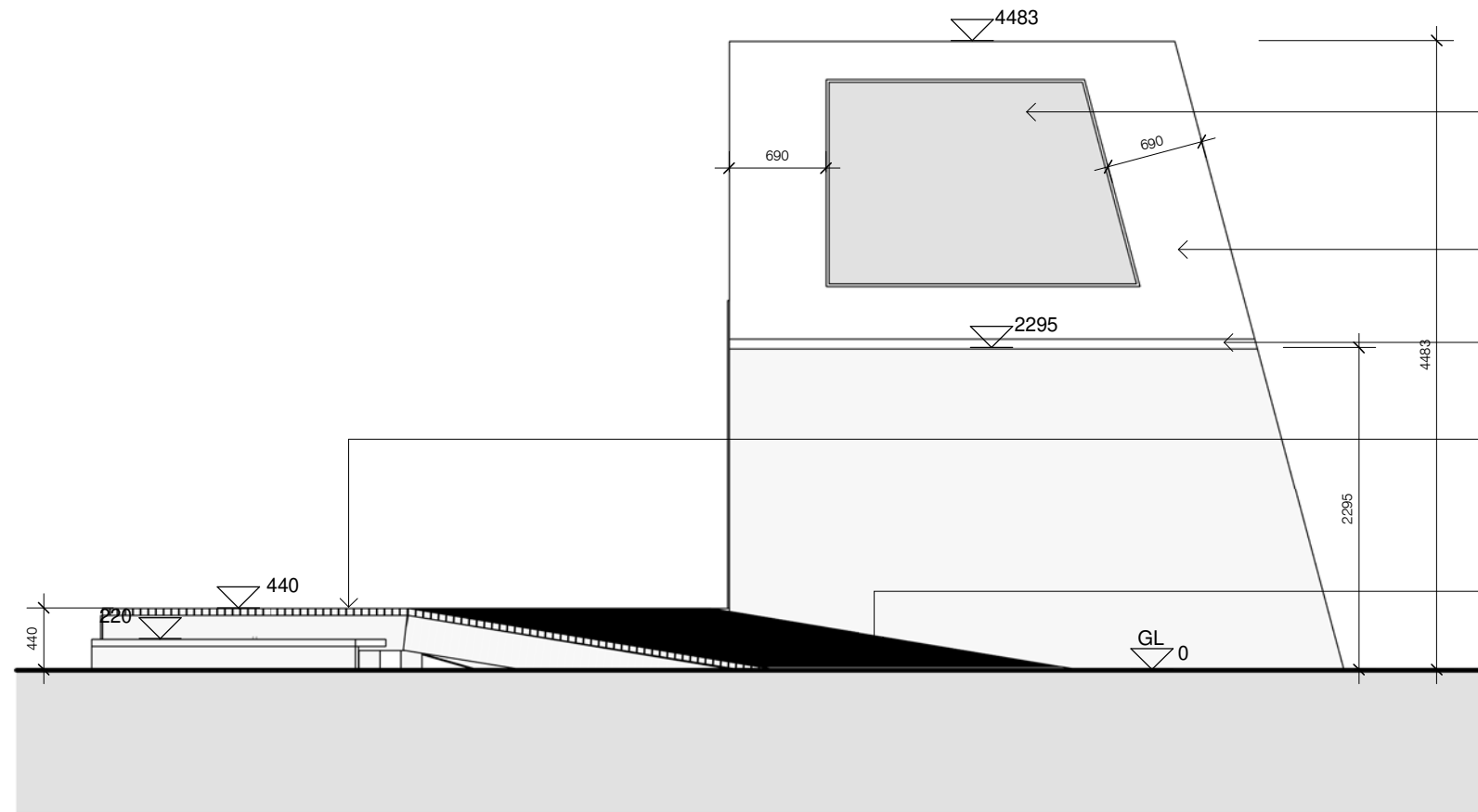
ROOFLIGHT
CUSTOM SIZE FLUSHGLAZE FIXED FLAT ROOFLIGHT.
THE CONTRACTOR IS RESPONSIBLE FOR MEASURING UP AND ORDERING
WINDOWS BASED ON SITE DIMENSIONS.

WALLS 0.15Wm²K (OUTSIDE TO INSIDE)
6mm CUSTOM CUT CORTEN STEEL PANEL SECRET FIXED TO
15X35mm ALUMINIUM BOX SECTION HORIZONTAL RAILS @ 600mm CENTRES ON
30X35mm ALUMINIUM Z-SECTION VERTICAL RAILS @ 600mm CENTRES ON
0.5mm KINGSPAN NILVENT BREATHABLE MEMBRANE ON
142mm KINGSPAN TEK STRUCTURALLY INSULATED PANEL ON
25mm KINGSPAN THERMAWALL TWSS INSULATION ON
25X50mm TIMBER VERTICAL BATTENS @ 600mm CENTRES ON
18mm BIRCH PLYWOOD FINISH.

GUTTER
100mm WIDE HARMER RECTANGULAR GUTTER.
FITTED WITH 50mmØ DOWNPIPES.

Roof Plan
1 : 50

| | | | | | | | |
|--|-----|------|----------|----------|----------------------|---|----------------|
| | No. | Date | Revision | Initials | PRO No.: 3.1 | DRAWING No.: T005 | STATUS: Tender |
| | | | | | SCALE: 1 : 50 | PROJECT: TDS TECH4100 Assessment 3 Project 1 - Baseline Detailing Project | |
| | | | | | DATE: 09/10/2020 | DRAWING: Roof Plan | |
| | | | | | REV: | ARCHITECT: Liam Deguara | |
| | | | | | DRN: LD CHKD: TDS | ISO REF: 3.1-LD-01-XX-DR-A-T005 | |



ROOFLIGHT
 CUSTOM SIZE FLUSHGLAZE FIXED FLAT ROOFLIGHT.
 THE CONTRACTOR IS RESPONSIBLE FOR MEASURING
 UP AND ORDERING WINDOWS BASED ON SITE
 DIMENSIONS.

WALLS
 6mm CORTEN STEEL PANEL FINISH

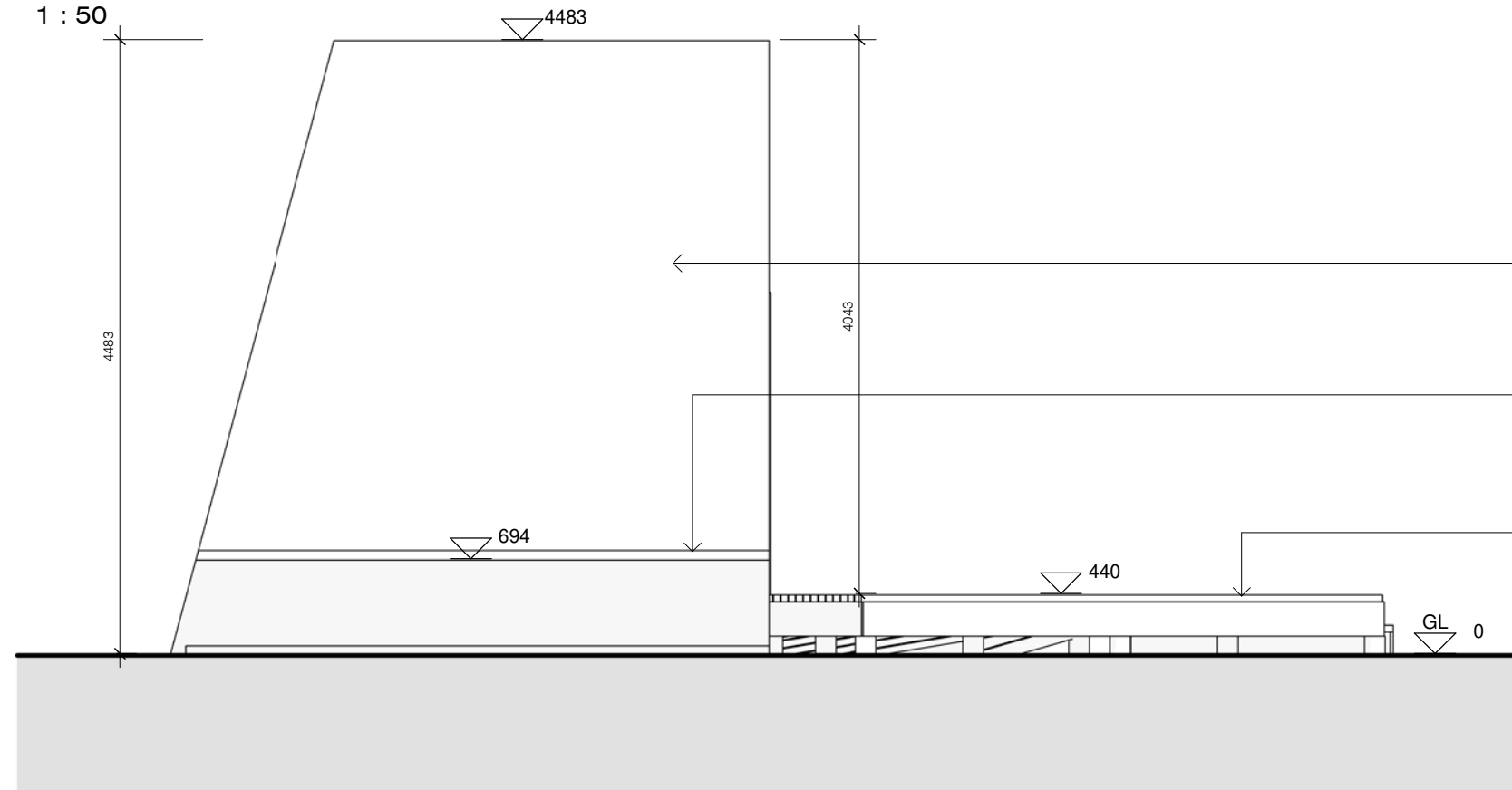
GUTTER
 100mm WIDE HARMER RECTANGULAR SECRET GUTTER.
 FITTED WITH 50mmØ DOWNPIPES BEHIND THE CORTEN PANEL.

DECK
 50X100mm TREATED TIMBER DECKING (9MM SPACING) ON
 150X50mm TREATED TIMBER JOISTS @ 400MM CENTRES ON
 100X50mm TREATED TIMBER BEAMS ON
 150mmØ PRESSURE TREATED TIMBER POSTS.

RAMP
 50X100mm TREATED TIMBER DECKING (9MM SPACING) ON
 150X50mm TREATED TIMBER JOISTS @ 400MM CENTRES (1:12 SLOPE).

North Elevation

1 : 50



WALLS
 6mm CORTEN STEEL PANEL FINISH

GUTTER
 100mm WIDE HARMER RECTANGULAR SECRET GUTTER.
 FITTED WITH 50mmØ DOWNPIPES BEHIND THE CORTEN PANEL.

DECK
 50X100mm TREATED TIMBER DECKING (9MM SPACING) ON
 150X50mm TREATED TIMBER JOISTS @ 400MM CENTRES ON
 100X50mm TREATED TIMBER BEAMS ON
 150mmØ PRESSURE TREATED TIMBER POSTS.

South Elevation

1 : 50



| No. | Date | Revision |
|-----|------|----------|
| | | |

Initials

PRO No.: 3.1

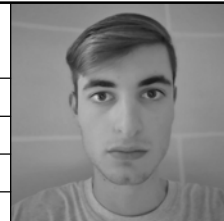
SCALE: 1 : 50

DATE: 09/10/2020

REV:

DRN: LD

CHKD: TDS



DRAWING No.: T006

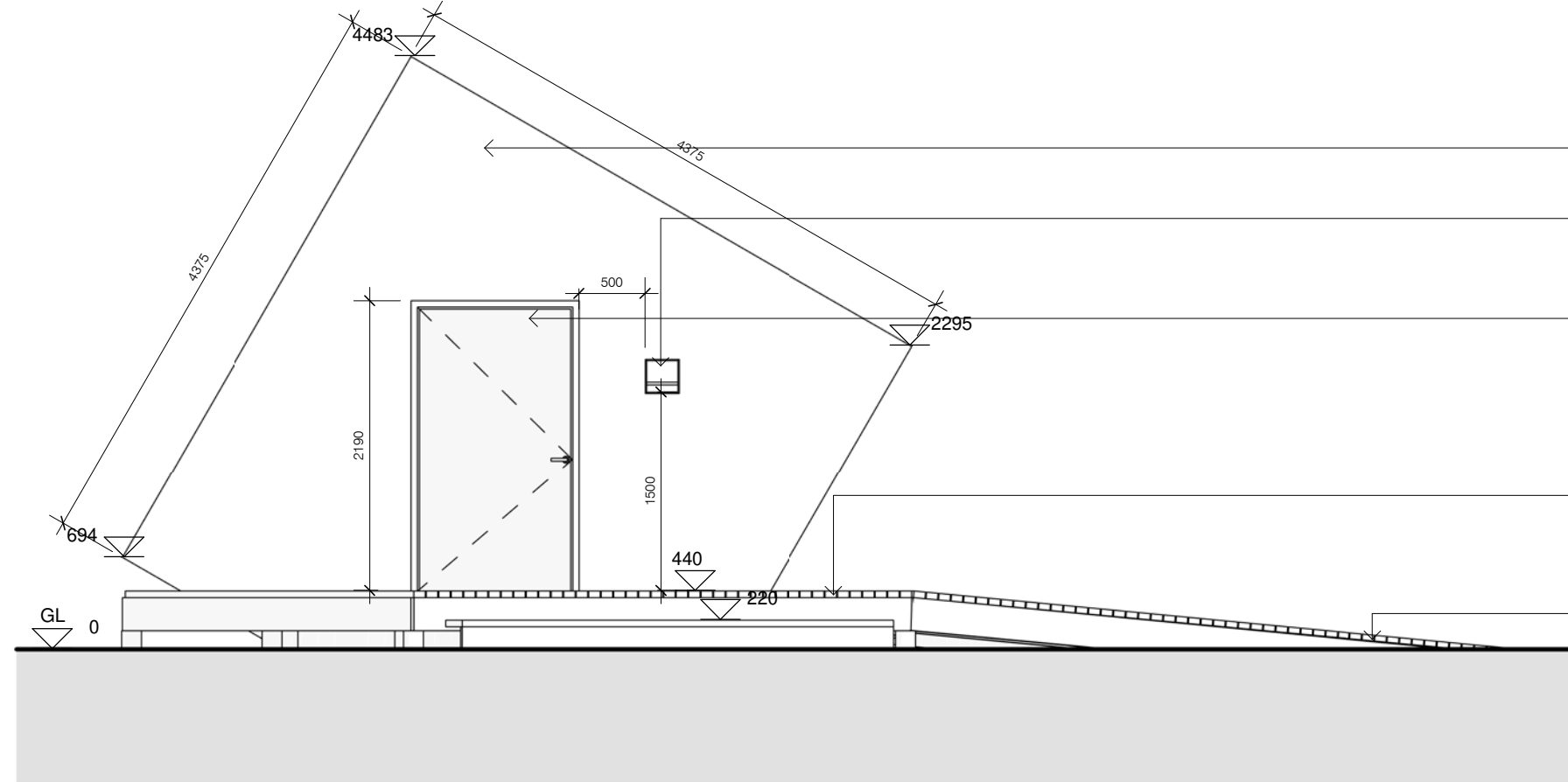
STATUS: Tender

PROJECT: TDS TECH4100 Assessment 3 Project 1 - Baseline Detailing Project

DRAWING: Elevations

ARCHITECT: Liam Deguara

ISO REF: 3.1-LD-01-XX-DR-A-T006



East Elevation
1 : 50

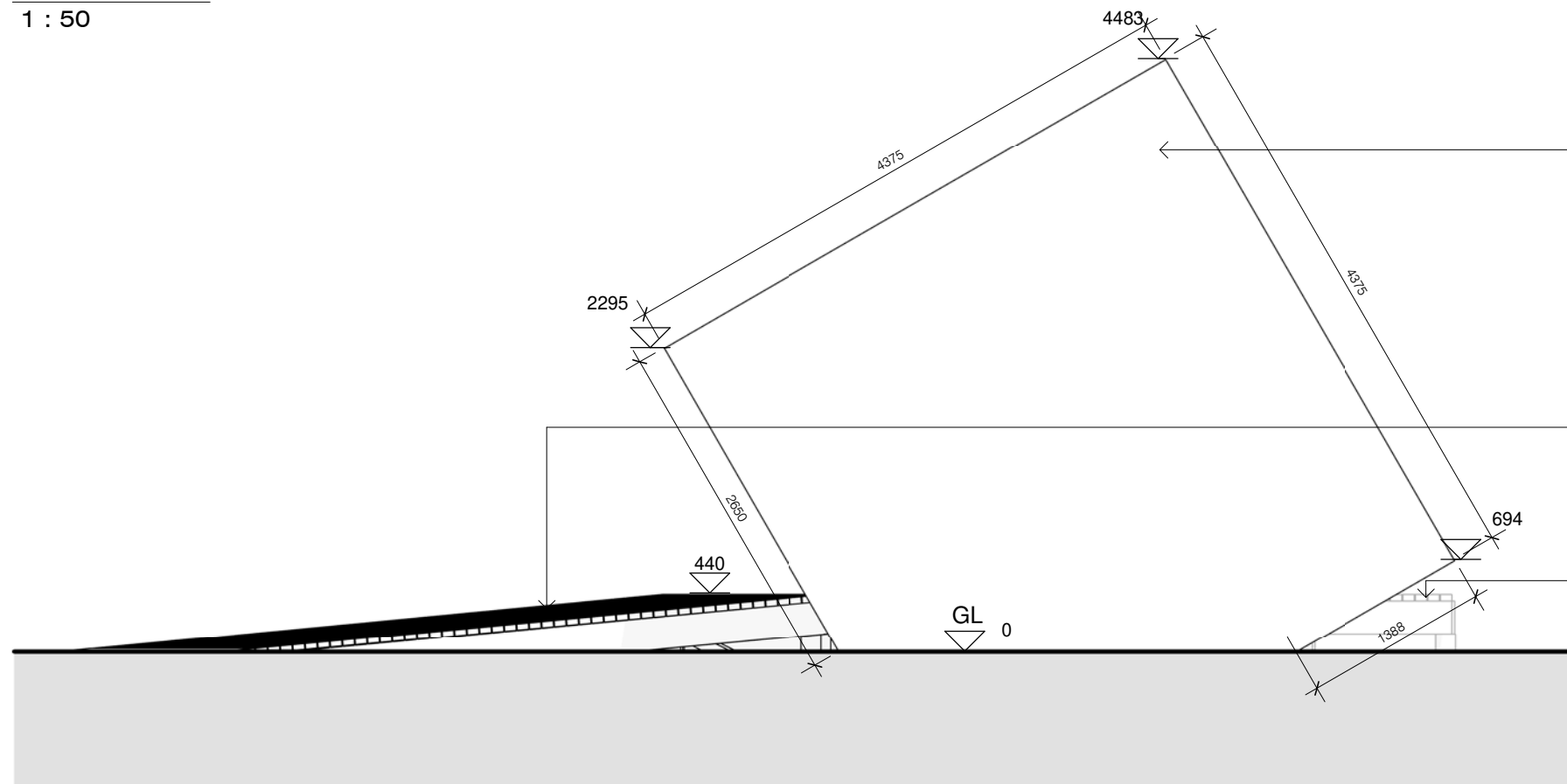
WALLS
6mm CORTEN STEEL PANEL FINISH

VENT
LUNOS e90 VENTILATION WITH HEAT RECOVERY UNIT.
TO BE INSTALLED IN STRICT ACCORDANCE WITH
MANUFACTURERS SPECIFICATIONS.

DOOR
TIMBER DOOR AND IRONMONGERY BY RATIONEL.
DOOR TO BE FITTED IN STRICT ACCORDANCE WITH
MANUFACTURERS SPECIFICATIONS
WITH STAINLESS STEEL BRACKETS TO DELIVER THE
REQUIRED AIR TIGHTNESS PERFORMANCE.

DECK
50X100mm TREATED TIMBER DECKING (9MM SPACING) ON
150X50mm TREATED TIMBER JOISTS @ 400MM CENTRES ON
100X50mm TREATED TIMBER BEAMS ON
150mmØ PRESSURE TREATED TIMBER POSTS.

RAMP
50X100mm TREATED TIMBER DECKING (9MM SPACING) ON
150X50mm TREATED TIMBER JOISTS @ 400MM CENTRES (1:12 SLOPE).



West Elevation
1 : 50

WALLS
6mm CORTEN STEEL PANEL FINISH

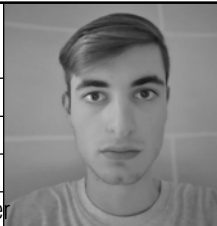
RAMP
50X100mm TREATED TIMBER DECKING (9MM SPACING) ON
150X50mm TREATED TIMBER JOISTS @ 400MM CENTRES (1:12 SLOPE).

DECK
50X100mm TREATED TIMBER DECKING (9MM SPACING) ON
150X50mm TREATED TIMBER JOISTS @ 400MM CENTRES ON
100X50mm TREATED TIMBER BEAMS ON
150mmØ PRESSURE TREATED TIMBER POSTS.

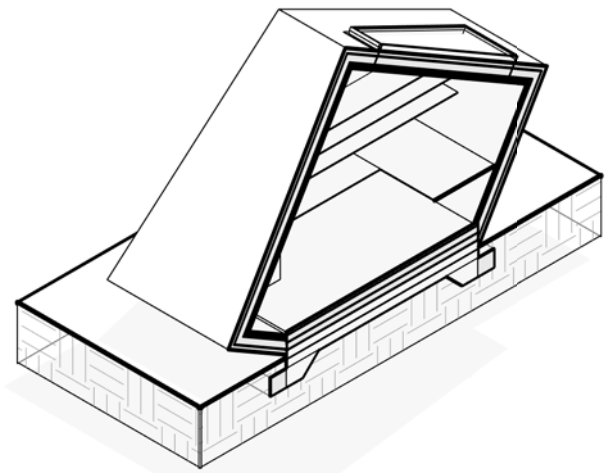


| No. | Date | Revision | Initials |
|-----|------|----------|----------|
| | | | |

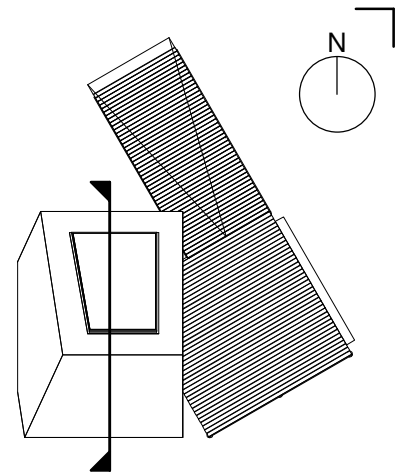
| | |
|----------|------------|
| PRO No.: | 3.1 |
| SCALE: | 1 : 50 |
| DATE: | 09/10/2020 |
| REV: | |
| DRN: | Author |
| CHKD: | Checker |



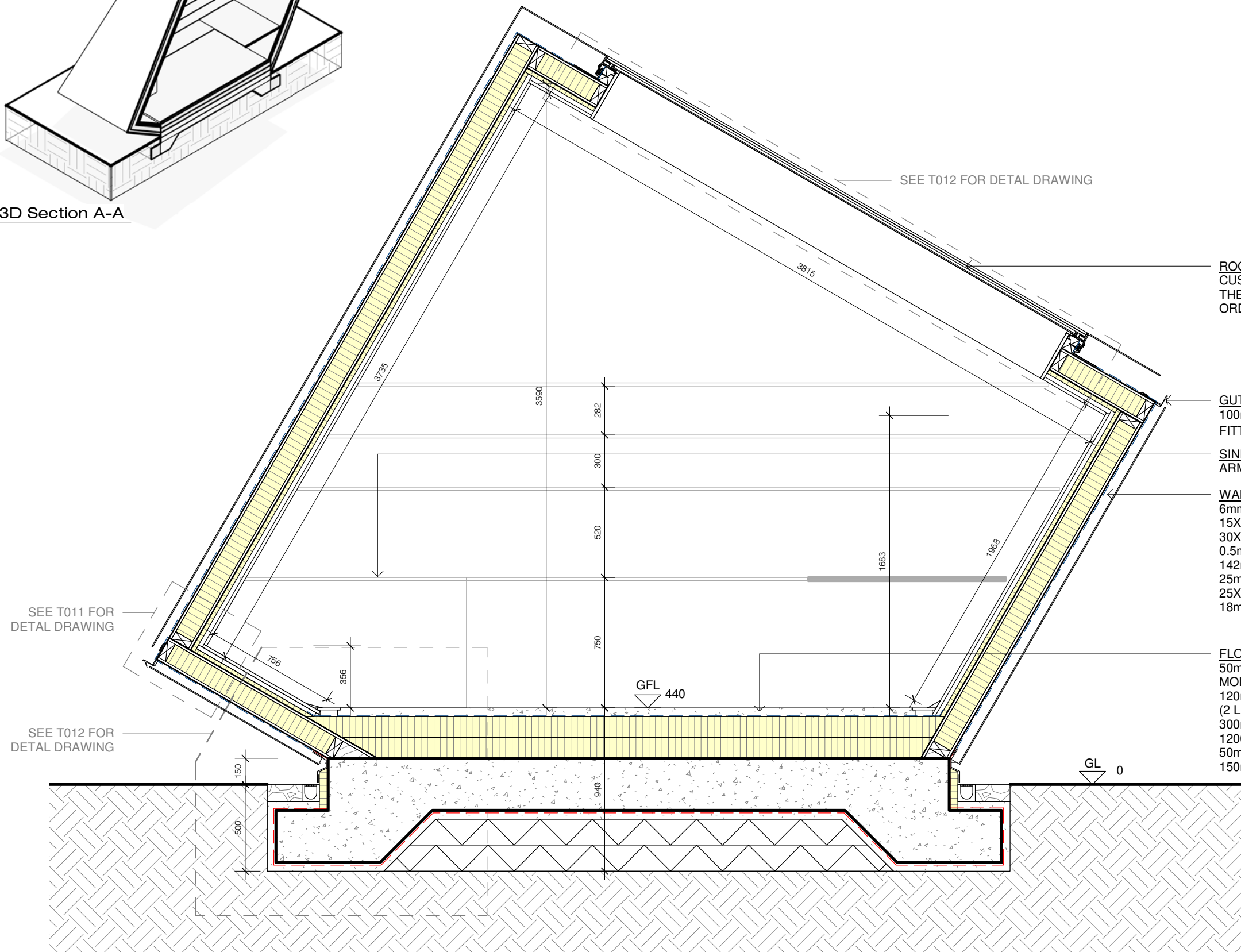
| | | | |
|--------------|--|---------|--------|
| DRAWING No.: | T007 | STATUS: | Tender |
| PROJECT: | TDS TECH4100 Assessment 3 Project 1 - Baseline Detailing Project | | |
| DRAWING: | Elevations | | |
| ARCHITECT: | Liam Deguara | | |
| ISO REF: | 3.1-LD-01-XX-DR-A-T007 | | |



3D Section A-A



Section A-A Key Plan
1 : 200



SEE T012 FOR DETAL DRAWING

SEE T011 FOR DETAL DRAWING

SEE T012 FOR DETAL DRAWING

ROOFLIGHT
CUSTOM SIZE FLUSHGLAZE FIXED FLAT ROOFLIGHT.
THE CONTRACTOR IS RESPONSIBLE FOR MEASURING UP AND ORDERING WINDOWS BASED ON SITE DIMENSIONS.



GUTTER
100mm WIDE HARMER RECTANGULAR GUTTER.
FITTED WITH 50mmØ DOWNPIPES.

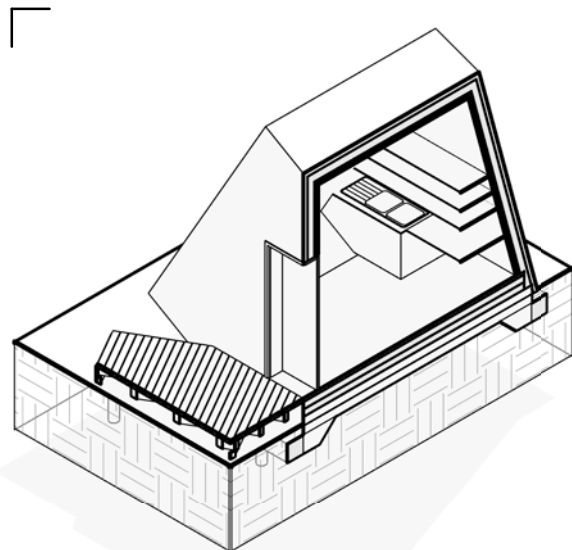
SINK
ARMITAGE SHANKS SANDRINGHAM 1000mm STAINLESS STEEL KITCHEN SINK

WALLS 0.15Wm²K (OUTSIDE TO INSIDE)
6mm CUSTOM CUT CORTEN STEEL PANEL SECRET FIXED TO
15X35mm ALUMINIUM BOX SECTION HORIZONTAL RAILS @ 600mm CENTRES ON
30X35mm ALUMINIUM Z-SECTION VERTICAL RAILS @ 600mm CENTRES ON
0.5mm KINGSPAN NILVENT BREATHABLE MEMBRANE ON
142mm KINGSPAN TEK STRUCTURALLY INSULATED PANEL ON
25mm KINGSPAN THERMAWALL TWSS INSULATION ON
25X50mm TIMBER VERTICAL BATTENS @ 600mm CENTRES ON
18mm BIRCH PLYWOOD FINISH.

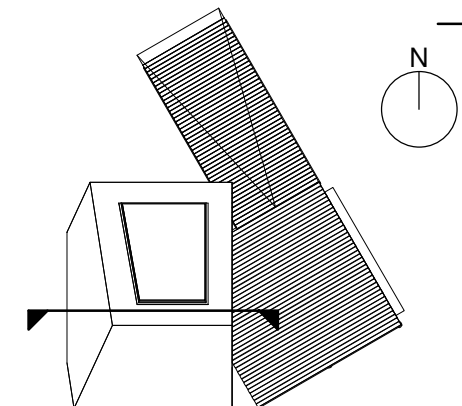
FLOOR 0.16Wm²K (INSIDE TO OUTSIDE)
50mm POLISHED CONCRETE ROADSTONE QUICK FLOOR SCREED ON
MOISTURE BARRIER ON
120mm MINERAL WOOL ROCKWOOL THERMAL ROCKFLOOR® INSULATION
(2 LAYERS) ON
300mm CAST-IN-SITU CONCRETE RAFT FOUNDATION ON
1200 GAUGE RADON BARRIER ON
50mm SAND BLINDING ON
150mm HARDCORE (2 LAYERS).

Section A-A
1 : 25

| | | | | | | | | | |
|---|-----|------|----------|----------|----------------------|---|---|-----------------------|--|
|  | No. | Date | Revision | Initials | PRO No.: 3.1 |  | DRAWING No.: T008 | STATUS: Tender | |
| | | | | | SCALE: As indicated | | PROJECT: TDS TECH4100 Assessment 3 Project 1 - Baseline Detailing Project | | |
| | | | | | DATE: 09/10/2020 | | DRAWING: Section AA | | |
| | | | | | REV: | | ARCHITECT: Liam Deguara | | |
| | | | | | DRN: LD CHKD: TDS | | ISO REF: 3.1-LD-01-XX-DR-A-T008 | | |



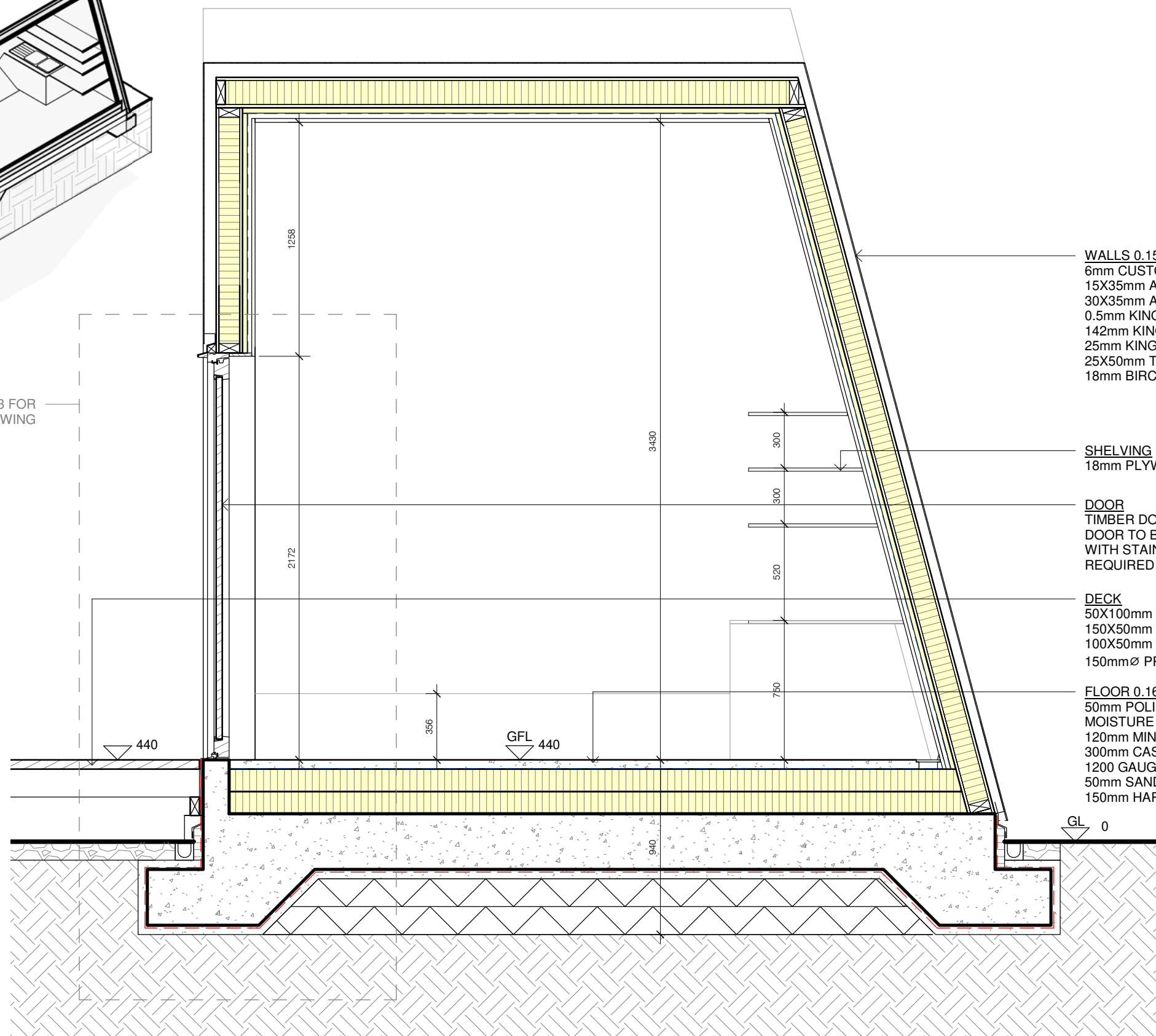
3D Section B-B



Section B-B Key Plan

1 : 200

SEE T013 FOR
DETAL DRAWING



WALLS 0.15Wm²K (OUTSIDE TO INSIDE)
 6mm CUSTOM CUT CORTEN STEEL PANEL SECRET FIXED TO
 15X35mm ALUMINIUM BOX SECTION HORIZONTAL RAILS @ 600mm CENTRES ON
 30X35mm ALUMINIUM Z-SECTION VERTICAL RAILS @ 600mm CENTRES ON
 0.5mm KINGSPAN NILVENT BREATHABLE MEMBRANE ON
 142mm KINGSPAN TEK STRUCTURALLY INSULATED PANEL ON
 25mm KINGSPAN THERMAWALL TWSS INSULATION ON
 25X50mm TIMBER VERTICAL BATTENS @ 600mm CENTRES ON
 18mm BIRCH PLYWOOD FINISH.

SHELVING
 18mm PLYWOOD SHELVING FIXED TO WALL WITH S.S ANGLE BRACKETS.

DOOR
 TIMBER DOOR AND IRONMONGERY BY RATIONEL.
 DOOR TO BE FITTED IN STRICT ACCORDANCE WITH MANUFACTURERS SPECIFICATIONS
 WITH STAINLESS STEEL BRACKETS TO DELIVER THE
 REQUIRED AIR TIGHTNESS PERFORMANCE.

DECK
 50X100mm TREATED TIMBER DECKING (9MM SPACING) ON
 150X50mm TREATED TIMBER JOISTS @ 400MM CENTRES ON
 100X50mm TREATED TIMBER BEAMS ON
 150mmØ PRESSURE TREATED TIMBER POSTS.

FLOOR 0.16Wm²K (INSIDE TO OUTSIDE)
 50mm POLISHED CONCRETE ROADSTONE QUICK FLOOR SCREED ON
 MOISTURE BARRIER ON
 120mm MINERAL WOOL ROCKWOOL THERMAL ROCKFLOOR® INSULATION (2 LAYERS) ON
 300mm CAST-IN-SITU CONCRETE RAFT FOUNDATION ON
 1200 GAUGE RADON BARRIER ON
 50mm SAND BLINDING ON
 150mm HARDCORE (2 LAYERS).

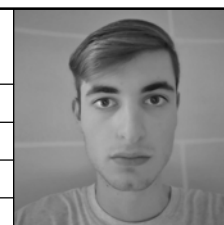
Section B-B

1 : 25

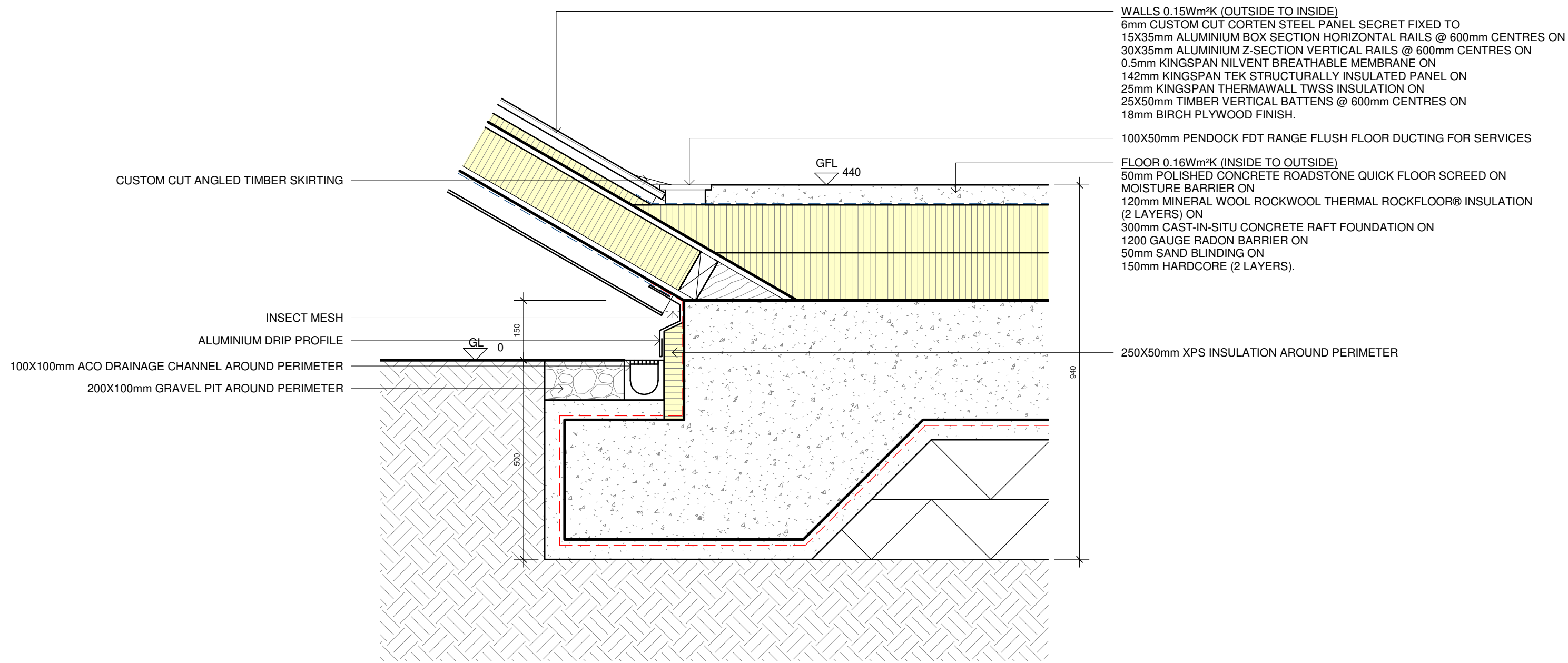


| No. | Date | Revision | Initials |
|-----|------|----------|----------|
| | | | |

| | |
|----------|--------------|
| PRO No.: | 3.1 |
| SCALE: | As indicated |
| DATE: | 09/10/2020 |
| REV: | |
| DRN: | LD |
| CHKD: | TDS |



| | | | |
|--------------|--|---------|--------|
| DRAWING No.: | T009 | STATUS: | Tender |
| PROJECT: | TDS TECH4100 Assessment 3 Project 1 - Baseline Detailing Project | | |
| DRAWING: | Section BB | | |
| ARCHITECT: | Liam Deguara | | |
| ISO REF: | 3.1-LD-XX-01-DR-A-T009 | | |





WALLS 0.15Wm²K (OUTSIDE TO INSIDE)
 6mm CUSTOM CUT CORTEN STEEL PANEL SECRET FIXED TO
 15X35mm ALUMINIUM BOX SECTION HORIZONTAL RAILS @ 600mm CENTRES ON
 30X35mm ALUMINIUM Z-SECTION VERTICAL RAILS @ 600mm CENTRES ON
 0.5mm KINGSPAN NILVENT BREATHABLE MEMBRANE ON
 142mm KINGSPAN TEK STRUCTURALLY INSULATED PANEL ON
 25mm KINGSPAN THERMAWALL TWSS INSULATION ON
 25X50mm TIMBER VERTICAL BATTENS @ 600mm CENTRES ON
 18mm BIRCH PLYWOOD FINISH.

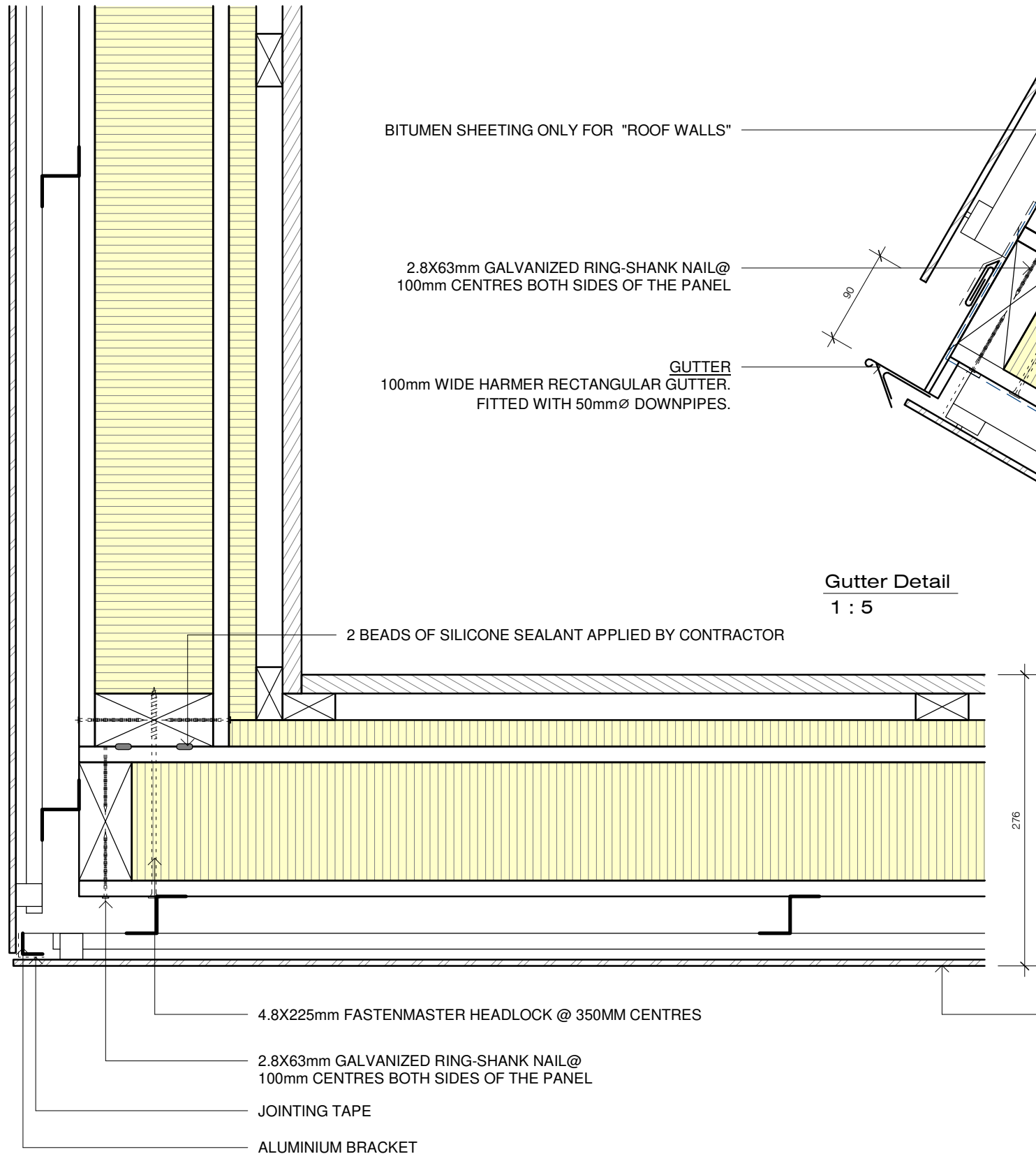
100X50mm PENDOCK FDT RANGE FLUSH FLOOR DUCTING FOR SERVICES

FLOOR 0.16Wm²K (INSIDE TO OUTSIDE)
 50mm POLISHED CONCRETE ROADSTONE QUICK FLOOR SCREED ON
 MOISTURE BARRIER ON
 120mm MINERAL WOOL ROCKWOOL THERMAL ROCKFLOOR® INSULATION
 (2 LAYERS) ON
 300mm CAST-IN-SITU CONCRETE RAFT FOUNDATION ON
 1200 GAUGE RADON BARRIER ON
 50mm SAND BLINDING ON
 150mm HARDCORE (2 LAYERS).

250X50mm XPS INSULATION AROUND PERIMETER

Wall - Floor Detail
 1 : 10

| | | | | | | | | | | |
|--|-----|------|----------|----------|---------------------|---|---|---------------------------------|--|--|
|  <p>OLLSCOIL TEICNEOLAÍOCHTA BHAILE ÁTHA CLIATH DUBLIN TECHNOLOGICAL UNIVERSITY DUBLIN</p> | No. | Date | Revision | Initials | PRO No.: 3.1 |  | DRAWING No.: T010 | STATUS: Tender | | |
| | | | | | SCALE: 1 : 10 | | PROJECT: TDS TECH4100 Assessment 3 Project 1 - Baseline Detailing Project | | | |
| | | | | | | | DATE: 09/10/2020 | DRAWING: Wall - Floor Detail | | |
| | | | | | | | REV: | ARCHITECT: Liam Deguara | | |
| | | | | | | | DRN: LD CHKD: TDS | ISO REF: 3.1-LD-01-XX-DR-A-T010 | | |



BITUMEN SHEETING ONLY FOR "ROOF WALLS"

2.8X63mm GALVANIZED RING-SHANK NAIL@
100mm CENTRES BOTH SIDES OF THE PANEL

GUTTER
100mm WIDE HARMER RECTANGULAR GUTTER.
FITTED WITH 50mmØ DOWNPIPES.

2 BEADS OF SILICONE SEALANT APPLIED BY CONTRACTOR

4.8X225mm FASTENMASTER HEADLOCK @ 350MM CENTRES

2.8X63mm GALVANIZED RING-SHANK NAIL@
100mm CENTRES BOTH SIDES OF THE PANEL

JOINTING TAPE



ALUMINIUM BRACKET

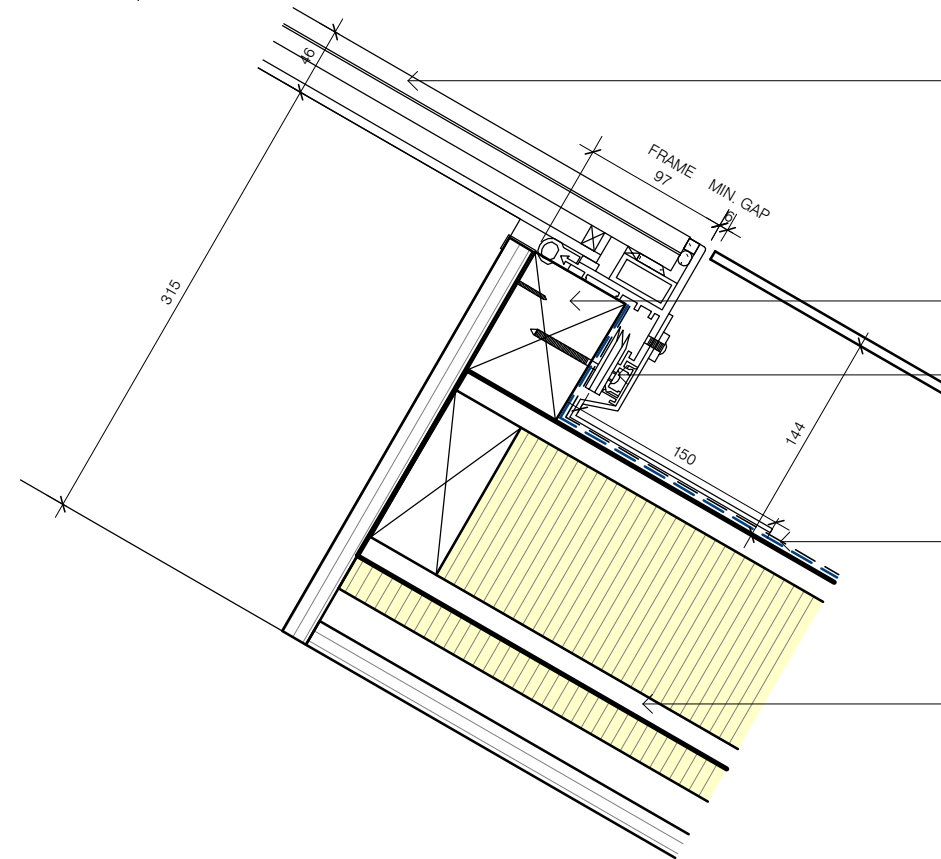
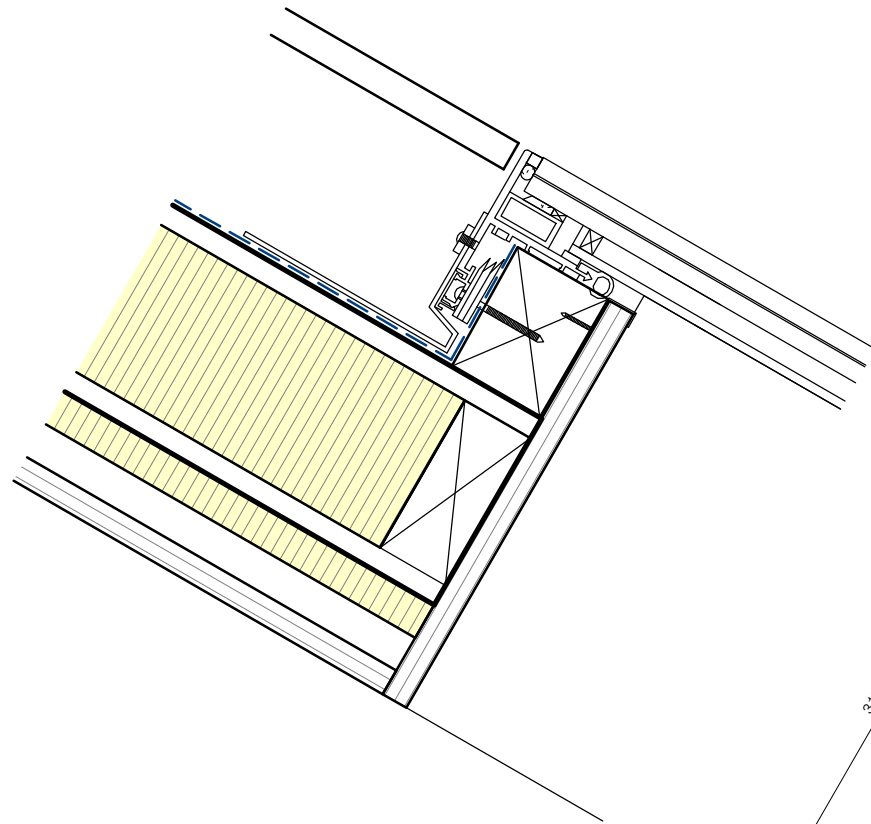
Gutter Detail
1 : 5

WALLS 0.15Wm²K (OUTSIDE TO INSIDE)
6mm CUSTOM CUT CORTEN STEEL PANEL SECRET FIXED TO
15X35mm ALUMINIUM BOX SECTION HORIZONTAL RAILS @
600mm CENTRES ON
30X35mm ALUMINIUM Z-SECTION VERTICAL RAILS @ 600mm
CENTRES ON
0.5mm KINGSPAN NILVENT BREATHABLE MEMBRANE ON
142mm KINGSPAN TEK STRUCTURALLY INSULATED PANEL ON
25mm KINGSPAN THERMAWALL TWSS INSULATION ON
25X50mm TIMBER VERTICAL BATTENS @ 600mm CENTRES ON
18mm BIRCH PLYWOOD FINISH.
4.8X225mm FASTENMASTER HEADLOCK @ 350MM CENTRES
2 BEADS OF SILICONE SEALANT APPLIED BY CONTRACTOR

WALLS 0.15Wm²K (OUTSIDE TO INSIDE)
6mm CUSTOM CUT CORTEN STEEL PANEL SECRET FIXED TO
15X35mm ALUMINIUM BOX SECTION HORIZONTAL RAILS @ 600mm CENTRES ON
30X35mm ALUMINIUM Z-SECTION VERTICAL RAILS @ 600mm CENTRES ON
0.5mm KINGSPAN NILVENT BREATHABLE MEMBRANE ON
142mm KINGSPAN TEK STRUCTURALLY INSULATED PANEL ON
25mm KINGSPAN THERMAWALL TWSS INSULATION ON
25X50mm TIMBER VERTICAL BATTENS @ 600mm CENTRES ON
18mm BIRCH PLYWOOD FINISH.

Wall Corner Detail
1 : 5

| | | | | | | | | | |
|---|-----|------|----------|----------|----------------------|---|---|----------------|--|
|  | No. | Date | Revision | Initials | PRO No.: 3.1 |  | DRAWING No.: T011 | STATUS: Tender | |
| | | | | | SCALE: 1 : 5 | | PROJECT: TDS TECH4100 Assessment 3 Project 1 - Baseline Detailing Project | | |
| | | | | | DATE: 09/10/2020 | | DRAWING: Wall - Wall Detail | | |
| | | | | | REV: | | ARCHITECT: Liam Deguara | | |
| | | | | | DRN: LD CHKD: TDS | | ISO REF: 3.1-LD-01-XX-DR-A-T011 | | |



ROOFLIGHT

CUSTOM SIZE FLUSHGLAZE FIXED FLAT ROOFLIGHT.
THE CONTRACTOR IS RESPONSIBLE FOR MEASURING UP AND
ORDERING WINDOWS BASED ON SITE DIMENSIONS.

90X75mm TIMBER FRAME

POWDER COATED ALUMINIUM CLIP ON COVER TO
HIDE STRUCTURAL KERB FIXINGS NO.12 X 2 1/2"
STAINLESS STEEL AND HORSESHOE PACKERS
(SUPPLIED BY GLAZING VISION)

BITUMEN SHEETING

WALLS 0.15Wm²K (OUTSIDE TO INSIDE)

6mm CUSTOM CUT CORTEN STEEL PANEL SECRET FIXED TO
15X35mm ALUMINIUM BOX SECTION HORIZONTAL RAILS @ 600mm CENTRES ON
30X35mm ALUMINIUM Z-SECTION VERTICAL RAILS @ 600mm CENTRES ON
0.5mm KINGSPAN NILVENT BREATHABLE MEMBRANE ON
142mm KINGSPAN TEK STRUCTURALLY INSULATED PANEL ON
25mm KINGSPAN THERMAWALL TWSS INSULATION ON
25X50mm TIMBER VERTICAL BATTENS @ 600mm CENTRES ON
18mm BIRCH PLYWOOD FINISH.

Rooflight Detail

1 : 5



| No. | Date | Revision |
|-----|------|----------|
| | | |

Initials

PRO No.: 3.1

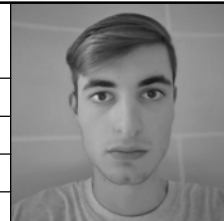
SCALE: 1 : 5

DATE: 09/10/2020

REV:

DRN: LD

CHKD: TDS



DRAWING No.: T012

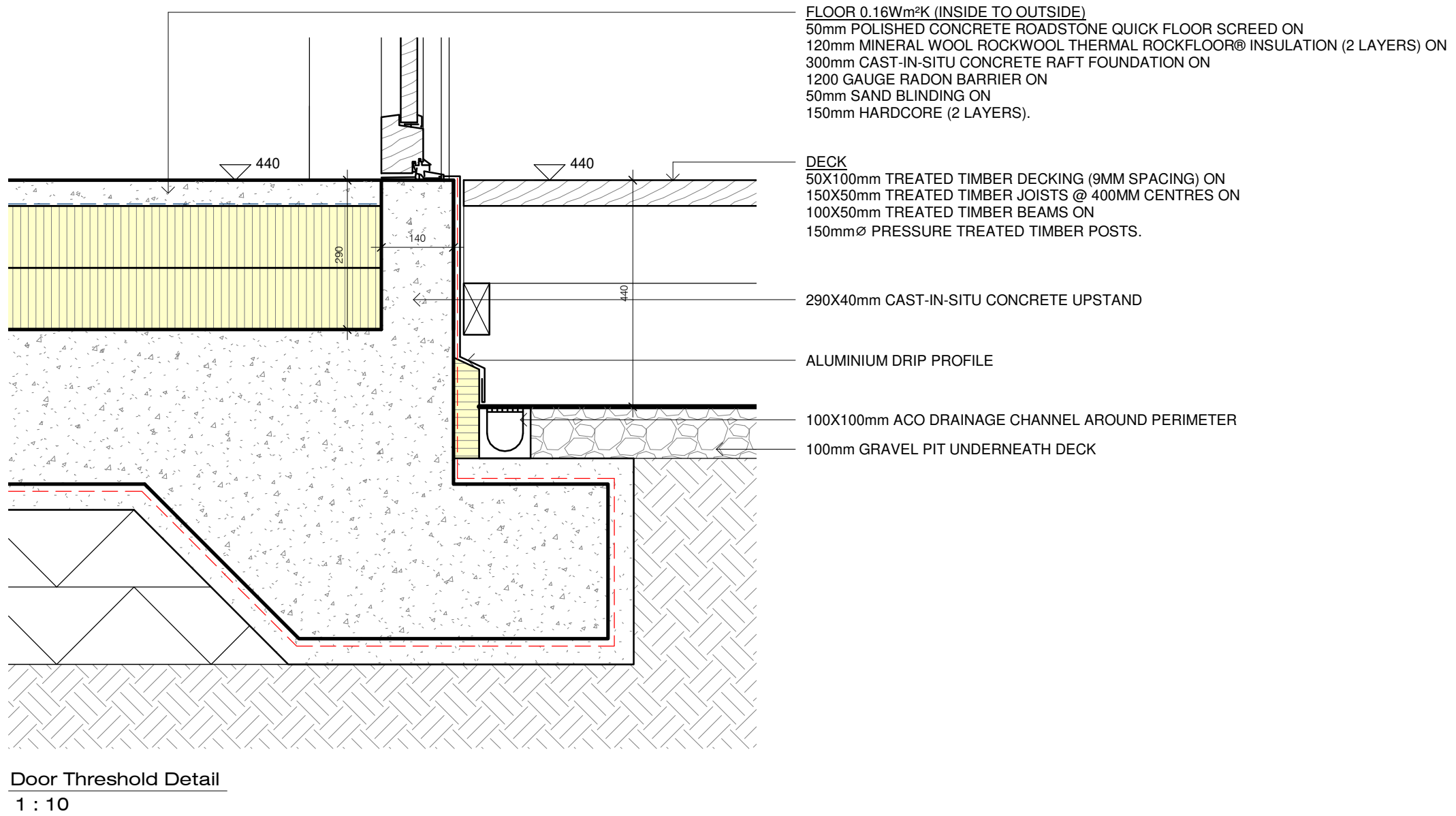
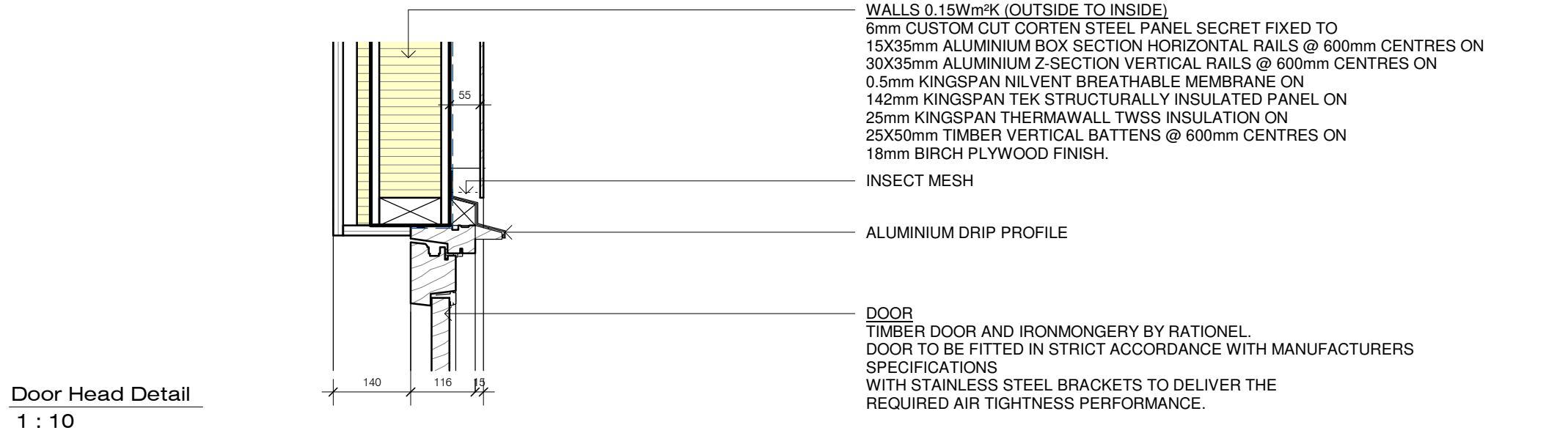
STATUS: Tender



PROJECT: TDS TECH4100 Assessment 3 Project 1 - Baseline Detailing Project

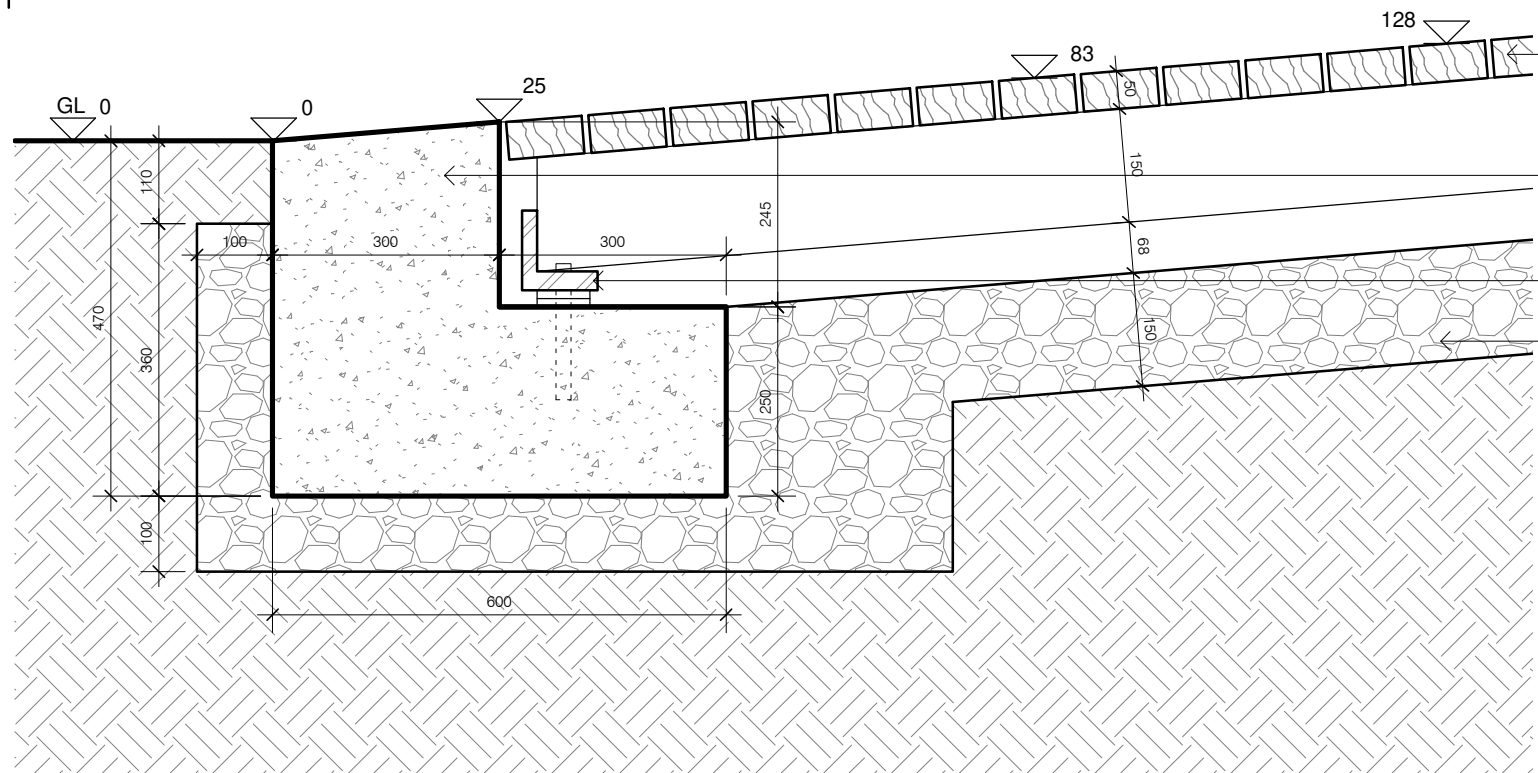
DRAWING: Rooflight Detail

ARCHITECT: Liam Deguara

ISO REF: 3.1-LD-01-XX-DR-A-T012

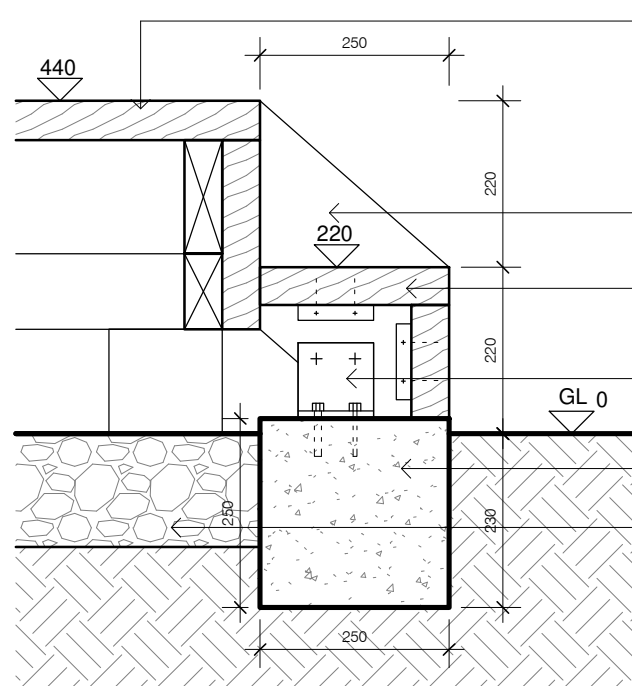


| | | | | | | | | | |
|---|-----|------|----------|----------|----------------------|---|---|----------------|--|
|  | No. | Date | Revision | Initials | PRO No.: 3.1 |  | DRAWING No.: T013 | STATUS: Tender | |
| | | | | | SCALE: 1 : 10 | | PROJECT: TDS TECH4100 Assessment 3 Project 1 - Baseline Detailing Project | | |
| | | | | | DATE: 09/10/2020 | | DRAWING: Door Detail | | |
| | | | | | REV: | | ARCHITECT: Liam Deguara | | |
| | | | | | DRN: LD CHKD: TDS | | ISO REF: 3.1-LD-01-XX-DR-A-T013 | | |



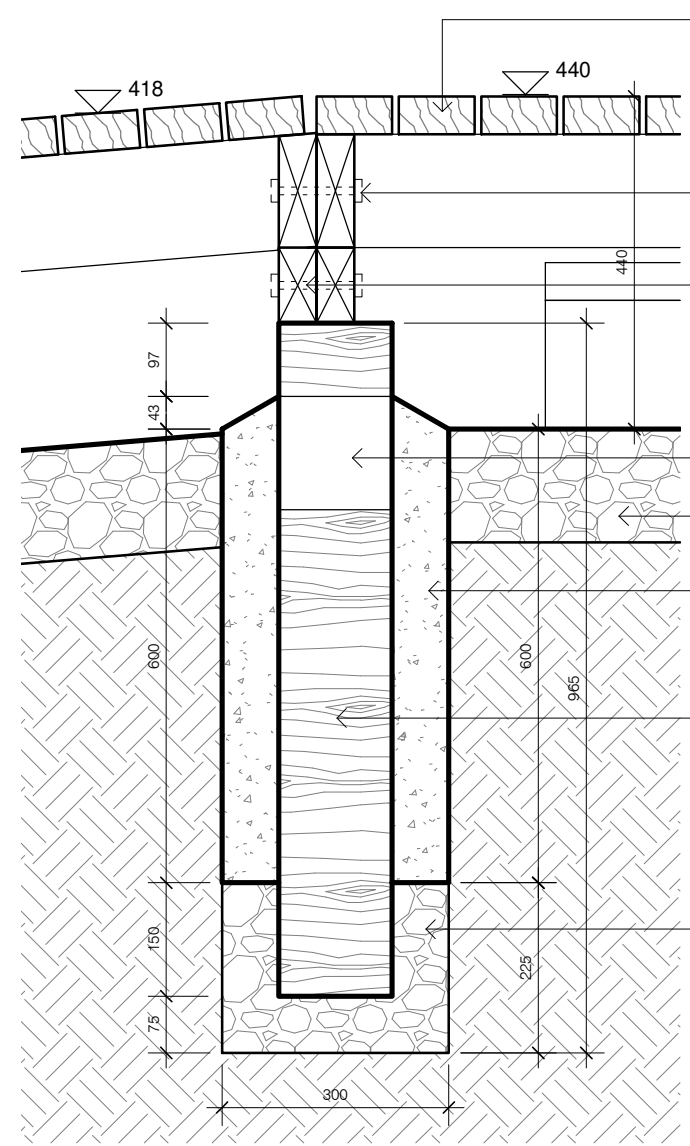
- RAMP**
50X100mm TREATED TIMBER DECKING (9MM SPACING) ON
150X50mm TREATED TIMBER JOISTS @ 400MM CENTRES (1:12 SLOPE).
- CAST-IN-SITU CONCRETE FOOTING (PITCHED TO MEET DECKING)
- S.S ANGLE AND ANCHOR BOLT
- 150mm GRAVEL PIT UNDERNEATH RAMP

Ramp Base Detail
1 : 10





- DECK**
50X100mm TREATED TIMBER DECKING (9MM SPACING) ON
150X50mm TREATED TIMBER JOISTS @ 400MM CENTRES ON
100X50mm TREATED TIMBER BEAMS ON
150mmØ PRESSURE TREATED TIMBER POSTS.
- 250X50mm TREATED TIMBER STRINGER
- 250X50mm TREATED TIMBER TREAD BOLTED TO IRON
CLEAT WITH 9mmØ BOLTS
- ANGLE IRON BOLTED TO STRINGER AND TO FOOTING
- 250X250mm CONCRETE FOOTING
- 150mm GRAVEL PIT BENEATH DECK

Step Detail
1 : 10

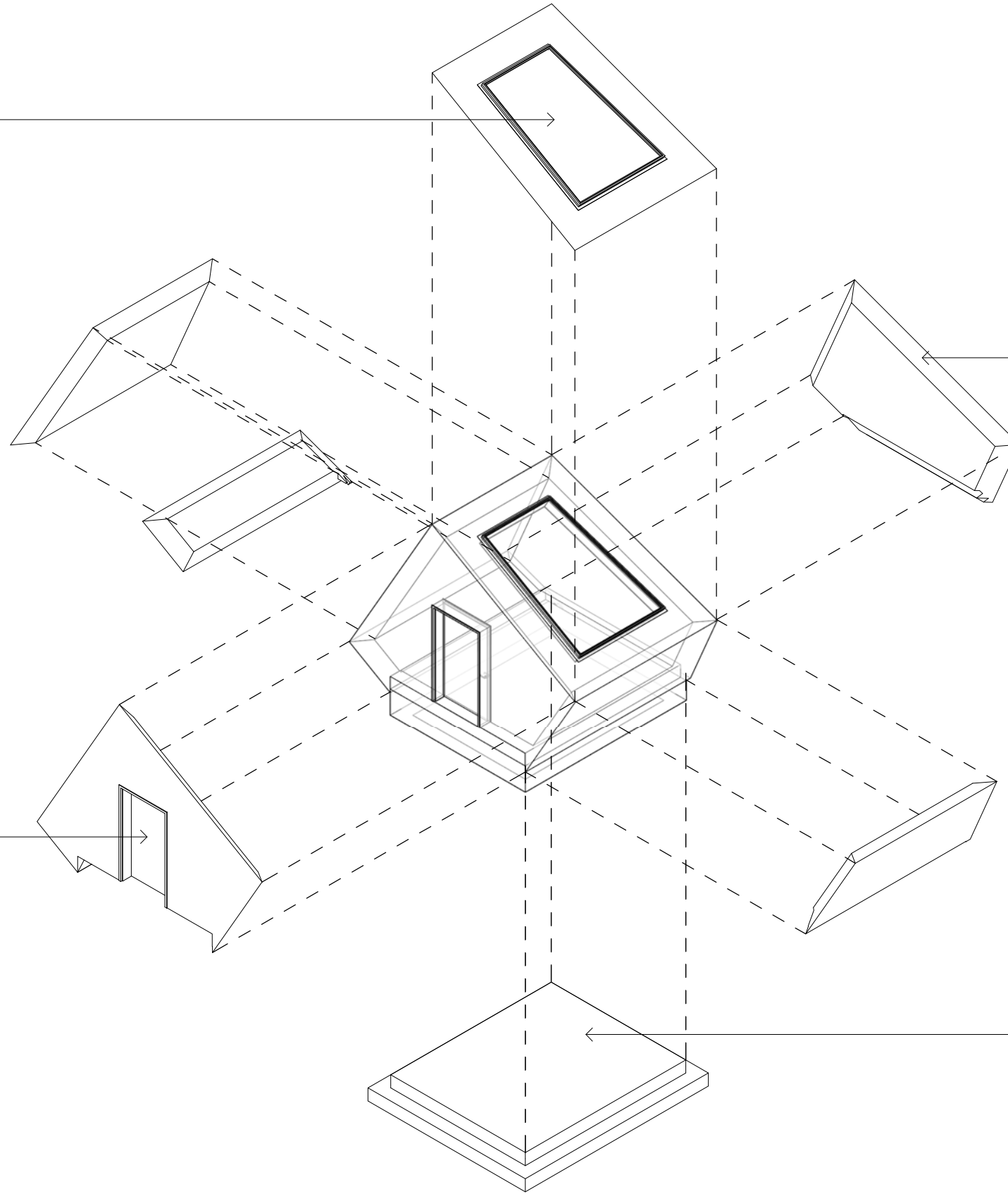


- DECK**
50X100mm TREATED TIMBER DECKING (9MM SPACING) ON
150X50mm TREATED TIMBER JOISTS @ 400MM CENTRES ON
100X50mm TREATED TIMBER BEAMS ON
150mmØ PRESSURE TREATED TIMBER POSTS.
- S.S BOLT
- LEDGER SECURED WITH LAG BOLT
- 150mmØ TAR PAPER COLLAR
- 150mm GRAVEL PIT BENEATH DECK
- 300mmØ CONCRETE PIER
- 150mmØ PRESSURE TREATED TIMBER POST
- GRAVEL FILL

Ramp - Deck Detail
1 : 10

| | | | | | | | | | | |
|---|-----|------|----------|----------|---------------------|---|---|---------------------------------|--|--|
|  | No. | Date | Revision | Initials | PRO No.: 3.1 |  | DRAWING No.: T014 | STATUS: Tender | | |
| | | | | | SCALE: 1 : 10 | | PROJECT: TDS TECH4100 Assessment 3 Project 1 - Baseline Detailing Project | | | |
| | | | | | | | DATE: 09/10/2020 | DRAWING: Timber Deck Details | | |
| | | | | | | | REV: | ARCHITECT: Liam Deguara | | |
| | | | | | | | DRN: LD CHKD: TDS | ISO REF: 3.1-LD-01-XX-DR-A-T014 | | |

ROOFLIGHT
 CUSTOM SIZE FLUSHGLAZE FIXED FLAT
 ROOFLIGHT.
 THE CONTRACTOR IS RESPONSIBLE FOR
 MEASURING UP AND ORDERING WINDOWS
 BASED ON SITE DIMENSIONS.





WALLS 0.15Wm²K (OUTSIDE TO INSIDE)
 6mm CUSTOM CUT CORTEN STEEL PANEL SECRET FIXED TO
 15X35mm ALUMINIUM BOX SECTION HORIZONTAL RAILS @
 600mm CENTRES ON
 30X35mm ALUMINIUM Z-SECTION VERTICAL RAILS @ 600mm
 CENTRES ON
 0.5mm KINGSPAN NILVENT BREATHABLE MEMBRANE ON
 142mm KINGSPAN TEK STRUCTURALLY INSULATED PANEL ON
 25mm KINGSPAN THERMAWALL TWSS INSULATION ON
 25X50mm TIMBER VERTICAL BATTENS @ 600mm CENTRES ON
 18mm BIRCH PLYWOOD FINISH.

DOOR
 TIMBER DOOR AND IRONMONGERY BY RATIONEL.
 DOOR TO BE FITTED IN STRICT ACCORDANCE
 WITH MANUFACTURERS SPECIFICATIONS

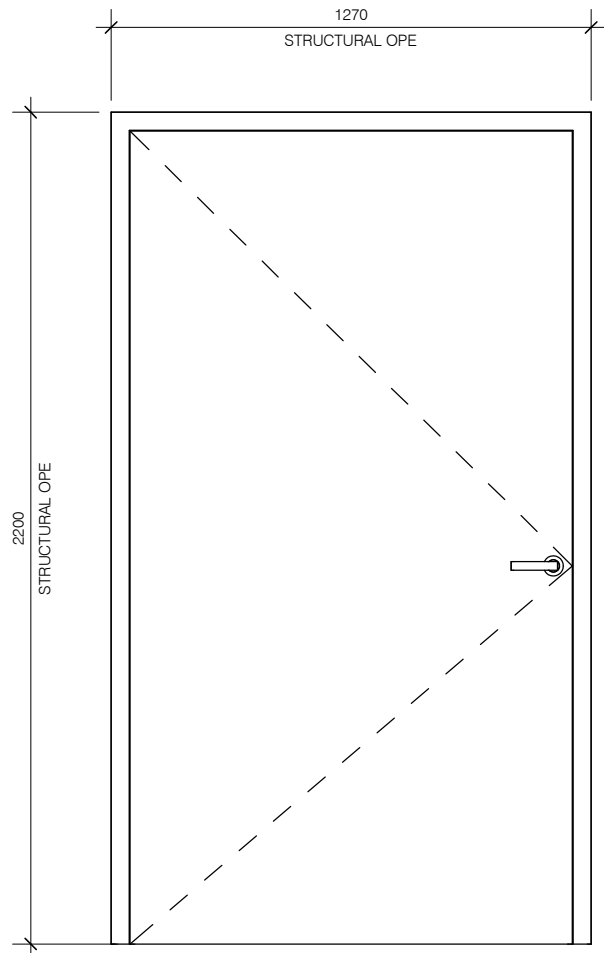
FLOOR 0.16Wm²K (INSIDE TO OUTSIDE)
 50mm POLISHED CONCRETE ROADSTONE QUICK FLOOR
 SCREED ON
 120mm MINERAL WOOL ROCKWOOL THERMAL ROCKFLOOR®
 INSULATION (2 LAYERS) ON
 300mm CAST-IN-SITU CONCRETE RAFT FOUNDATION ON
 1200 GAUGE RADON BARRIER ON
 50mm SAND BLINDING ON
 150mm HARDCORE (2 LAYERS).

3D Exploded View

| | | | | | | | | | | |
|--|-----|------|----------|----------|---------------------|---|---|---------------------------------|--|--|
|  <p>OLLSCOIL TEICNEOLAÍOCHTA BHAILE ÁTHA CLIATH DUBLIN TECHNOLOGICAL UNIVERSITY DUBLIN</p> | No. | Date | Revision | Initials | PRO No.: 3.1 |  | DRAWING No.: T015 | STATUS: Tender | | |
| | | | | | SCALE: | | PROJECT: TDS TECH4100 Assessment 3 Project 1 - Baseline Detailing Project | | | |
| | | | | | | | DATE: 09/10/2020 | DRAWING: 3D | | |
| | | | | | | | REV: | ARCHITECT: Liam Deguara | | |
| | | | | | | | DRN: LD CHKD: TDS | ISO REF: 3.1-LD-01-XX-DR-A-T015 | | |

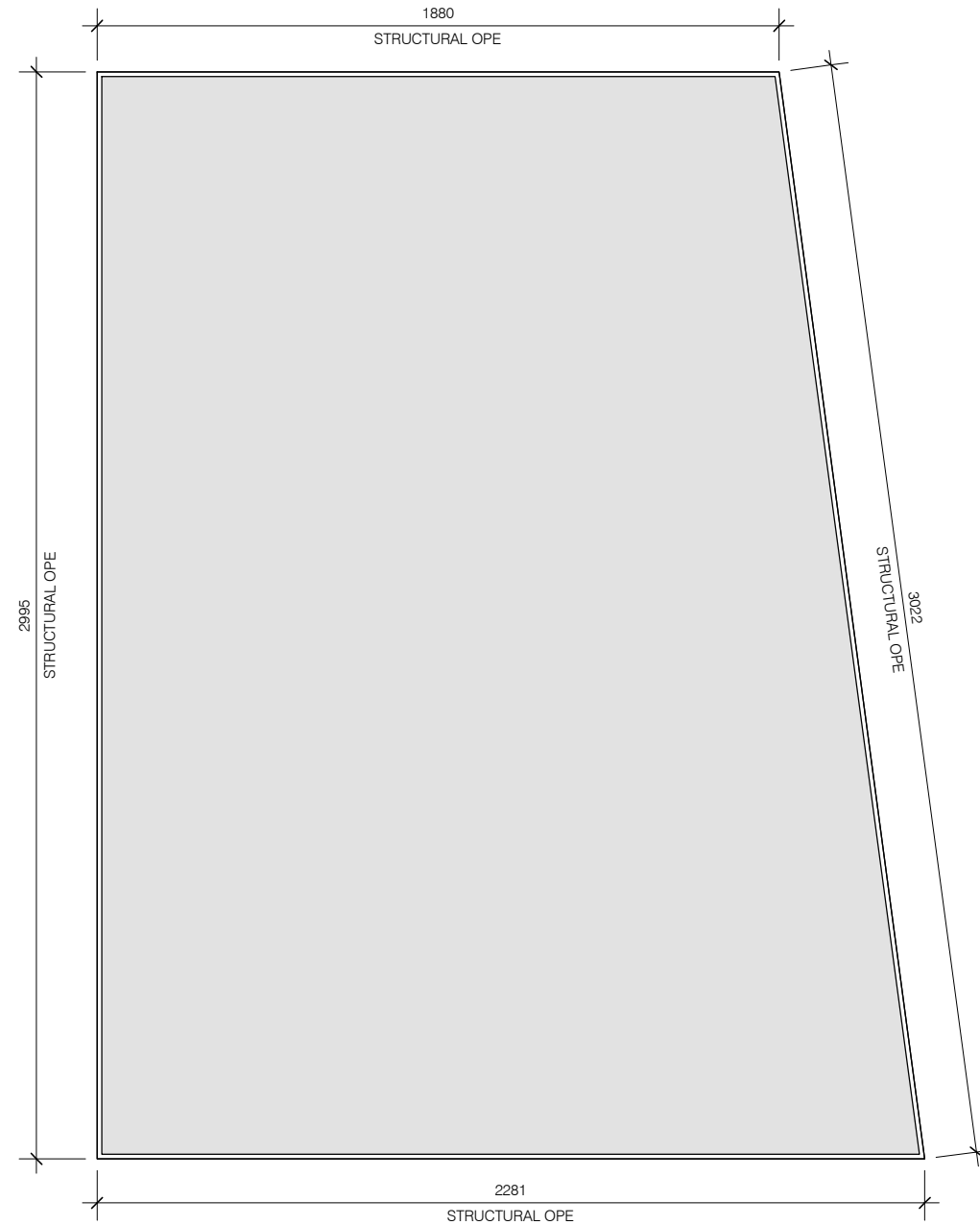
DOOR
 TIMBER DOOR AND IRONMONGERY BY RATIONEL.
 DOOR TO BE FITTED IN STRICT ACCORDANCE WITH
 MANUFACTURERS SPECIFICATIONS
 WITH STAINLESS STEEL BRACKETS TO DELIVER THE
 REQUIRED AIR TIGHTNESS PERFORMANCE.

DOOR HANDLES TO BE 900MM
 ABOVE FLOOR LEVEL.



DG01
 1 : 20

ROOFLIGHT
 CUSTOM SIZE FLUSHGLAZE FIXED FLAT ROOFLIGHT.
 THE CONTRACTOR IS RESPONSIBLE FOR MEASURING UP
 AND ORDERING WINDOWS BASED ON SITE DIMENSIONS.



RL01
 1 : 20





| No. | Date | Revision | Initials |
|-----|------|----------|----------|
| | | | |

| | |
|----------|------------|
| PRO No.: | 3.1 |
| SCALE: | 1 : 20 |
| DATE: | 09/10/2020 |
| REV: | |
| DRN: | LD |
| CHKD: | TDS |



| | | | |
|--------------|--|---------|--------|
| DRAWING No.: | T016 | STATUS: | Tender |
| PROJECT: | TDS TECH4100 Assessment 3 Project 1 - Baseline Detailing Project | | |
| DRAWING: | Door/Window Schedule | | |
| ARCHITECT: | Liam Deguara | | |
| ISO REF: | 3.1-LD-01-XX-DR-A-T016 | | |

| Project Materials Schedule | | | | | |
|---------------------------------|--|-------------------|---------------------|-----------------|------------------|
| Family and Type | Material: Name | Area | Volume | Density (kg/m3) | Item Weight (kg) |
| Basic Wall: Wall | Aluminium - Sheeting Rails | | | 2710 | 9841.746605 |
| | Concrete - Pre Cast | | | 2500 | 5167.012823 |
| Floor: Floor | Concrete - Sand/Cement Screed | 15 m ² | 0.73 m ³ | 2400 | 1761.845268 |
| Basic Wall: Wall | Corten Steel | | | 1000 | 1507.893681 |
| Rooflight: Flushglaze Rooflight | Glazing Glass | 12 m ² | 0.06 m ³ | 2710 | 155.968536 |
| Basic Wall: Wall | Insulation - Rigid insulation | | | 35 | 51.159833 |
| Rooflight: Flushglaze Rooflight | Metal - Aluminium | 4 m ² | 0.04 m ³ | 900 | 35.6754 |
| Sink: Armitage Shanks Sink | Metal Chrome | 2 m ² | 0.00 m ³ | 7140 | 15.51627 |
| Floor: Floor | Mineral Wool Insulation - Rigid insulation | 29 m ² | 3.52 m ³ | 70 | 246.658338 |
| Floor: Plywood Shelving | Plywood Shelving | | | 680 | 181.265297 |
| Basic Wall: Wall | SIP Insulation | | | 35 | 255.025038 |
| Basic Wall: Wall | SIP OSB | | | 600 | 1171.033336 |
| | Timber Deck Board | | | 500 | 401.792586 |
| Basic Wall: Wall | Vertical Timber Battens | | | 500 | 706.195219 |
| | Wood - Dimensional Lumber | | | 900 | 1258.677264 |
| | Wood - Sheathing - plywood | | | 680 | 690.947387 |
| | Wood - Timber | | | 900 | 175.80528 |
| Grand total: 187 | | | | | 23624.218161 |

| | | | | | | | | | |
|---|-----|------|----------|----------|------------------|---|---|-----------------------------|--|
|  | No. | Date | Revision | Initials | PRO No.: 3.1 |  | DRAWING No.: T017 | STATUS: Tender | |
| | | | | | SCALE: | | PROJECT: TDS TECH4100 Assessment 3 Project 1 - Baseline Detailing Project | DRAWING: Materials Schedule | |
| | | | | | DATE: 09/10/2020 | | ARCHITECT: Liam Deguara | | |
| | | | | | REV: | | ISO REF: 3.1-LD-01-XX-DR-A-T017 | | |
| | | | | | DRN: LD | | CHKD: TDS | | |